



品质电源 驱动未来

Quality of Power Supply Driving the Future

**Hongkong Head Office**  
Rm 1605A, Ho King Commercial Centre, 2-6 Fa Yuen Street, Mongkok, Kowloon, Hongkong  
Tel: +852-3115 8669  
Fax: +852-6991 7688  
Email: hk@ottima-tech.com

**Shenzhen Company**  
2nd Floor, Building 3, Lihao Industrial Park, 78 Ainan Road, Baolong Street, Longgang District, Shenzhen, Guangdong, China.  
Tel: 0086-755-89257015  
Fax: 0086-755-89257085  
Email: sz@ottima-tech.com

**Meizhou Factory**  
Pingyuan Ecological Industrial Park, Fengguang Village, Dazhe, Meizhou, Guangdong, China  
Tel: +86-753-8838 888  
Fax: +86-753-8838 888  
Email: mz@ottima-tech.com

**Zhengzhou Branch**  
Bosong Road 37#, Jinshui District, Zhengzhou, Henan, China  
Tel: +86-371-6090 5280  
Fax: +86-371-6090 5280  
Email: zz@ottima-tech.com

**Shunde Branch**  
No. 18 sunshine Palm Garden Road Shunde District Lunjiao town Foshan, Guangdong, China  
Tel: +86-757-2362 2022  
Fax: +86-757-2362 2022  
Email: sd@ottima-tech.com



## Company Profile

SHENZHEN OTTIMA TECHNOLOGY CO., LTD (refer to "OTTIMA" as following) is a worldwide supplier of LED Driver established in 2006. OTTIMA is a high-tech enterprise specializing in the R&D, manufacturing and export of LED Driver/LED power supply.

Our factory covers 4,300 square meters and with 150 workers utilizing 6 production lines. We have 6 R&D staffs with more than 10 years experience in LED Driver. Our products are UL, ETL, FCC, CE, UKCA, SAA, RCM approved. In addition, our quality can guarantee 3/5/7 years warranty and keep repair & maintenance rate below 0.3%.

Our company has advanced production equipment and testing equipment, such as wave soldering, ageing test equipment and SMD machine. We strictly carry out ISO9001 quality management system standard to ensure product quality. Since 2006, by virtue of strong development capability and excellent product quality, we have achieved a high reputation both overseas and domestic market.

North America is our main market, we are selling many drivers to U.S.A and Canada, have worked with many LED power supplies distributors and lighting manufacturers for years, some are the members of IALD LIRC.

OEM/ODM is welcome, ODM is also available if your need is large.

We will continue to produce more competitive, environmentally friendly and energy saving products to meet customers' needs and create win-win business with you!

Choose Ottima, Benefit both!!



### Office Environment



### Workshop



### Testing Equipment

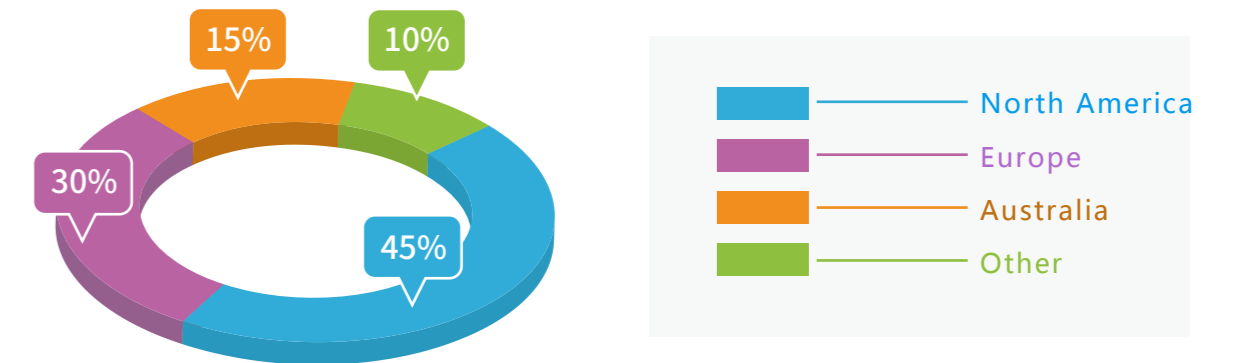
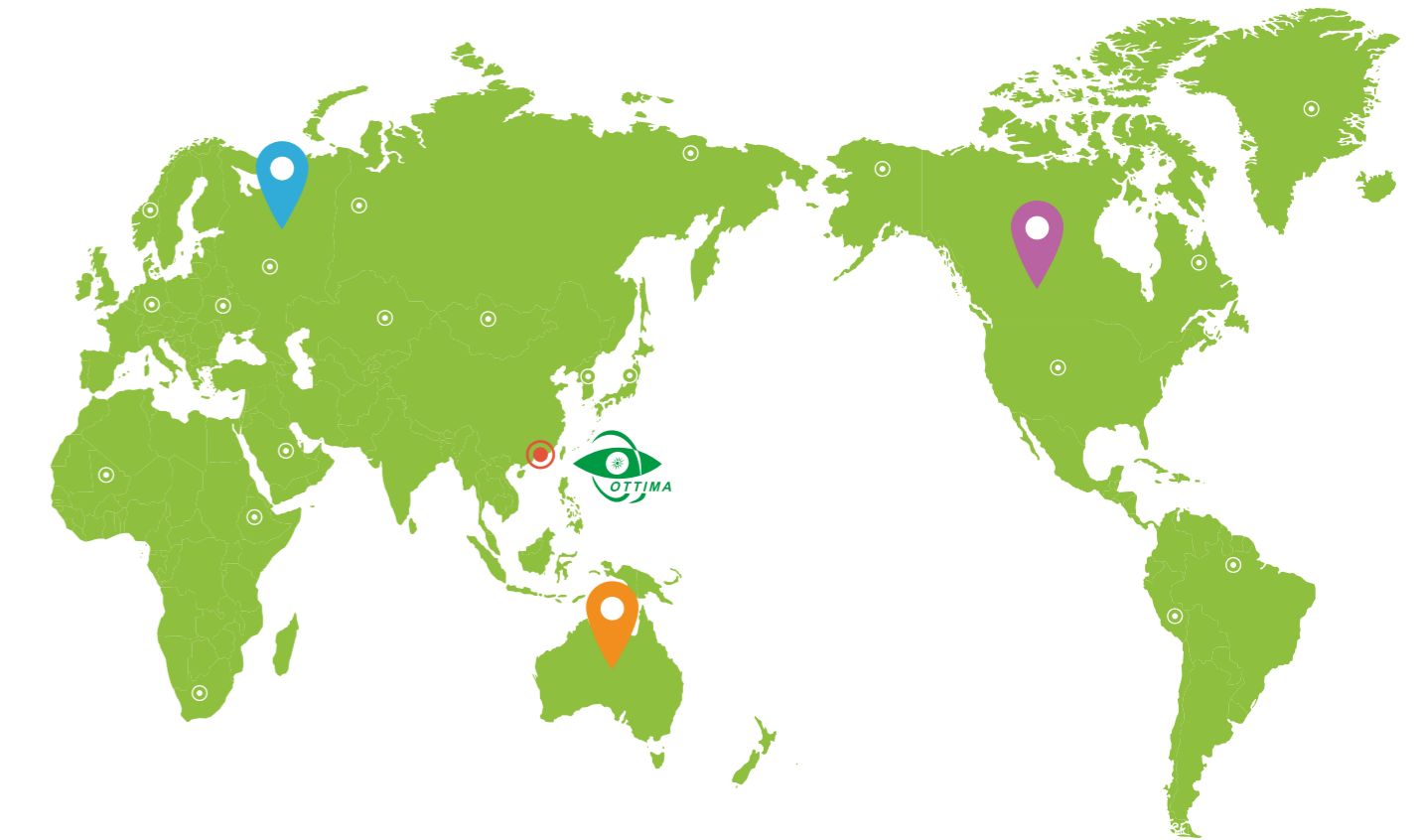


### Certificates



## Marketing Network

Our LED Driver are exported to many countries and areas, such as North America, Europe, Australia, Middle East, South Africa, Asia, etc. We have established stable sales network and maintain good co-operation relationship with many well-known enterprises all over the world.



In the future, OTTIMA TECHNOLOGY CO., LTD will build a world-class brand in the field of LED Driver by research and innovation, to serve customers as the top level.

# CONTENTS

## Ultra-Thin LED Driver



IP20 Type  
P.1-3

IP67 Type  
P.4

01

## Linear LED Driver



IP67 Type  
P.7

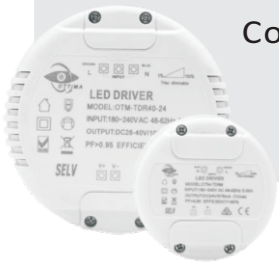
IP20 Type  
P.8

03

## Round shape LED Driver

Constant Voltage  
Constant Current

P.11



05

## DALI Dimmable LED Driver



DALI Dimmable  
P. 13

DALI&Push  
2 in 1 Dimmable  
P.14

07

## Ultra-thin Cabinet Light LED Driver

P. 5- 6



02

## Constant Voltage LED Driver

IP20 Type  
P. 9

IP67 Type  
P.10



04

## Triac Dimmable LED Driver

Constant Voltage  
Constant Current  
P. 12



06

## Recommended LED Driver for the North America



08

P.15-40



# Ultra-Thin LED Driver

- Input Voltage 100-240Vac
- High PF,High Efficiency design
- IP20 design
- Open Circuit,Short Circuit,Over Load,Over Temperature ,Over voltage Protection
- 3 years warranty
- Match ERP Standrand



Applied to LED Strip Light,LED Module,LED Neon,LED Mirror Light,LED Furniture Light,etc



## Typical Specifications

\*The following power, output voltage and output current can be adjusted according to customer requirements.

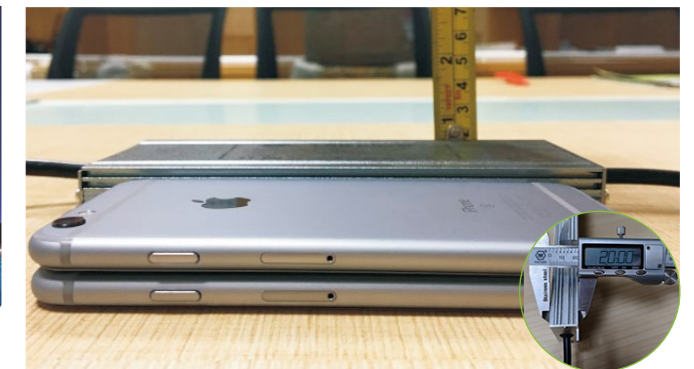
| Slim Type A ( PF>0.6/Economic models)                 |              |                |                |            |      |               |
|---|--------------|----------------|----------------|------------|------|---------------|
| Model No.   | Output power | Output voltage | Output current | Efficiency | PF   | Size(L*W*H)mm |
| OTM-SS6   | 6W           | 12V/24V        | 0.5A/0.25A     | 86%        | >0.6 | 99*46*15      |
| OTM-SS15  | 15W          | 12V/24V        | 1.25A/0.625A   | 86%        | >0.6 | 99*46*15      |
| OTM-SS20  | 20W          | 12V/24V        | 1.67A/0.83A    | 86%        | >0.6 | 128*50*15     |
| OTM-SS30  | 30W          | 12V/24V        | 2.5A/1.25A     | 86%        | >0.6 | 165*50*16.5   |
| OTM-SS40  | 40W          | 12V/24V        | 3.3A/1.67A     | 86%        | >0.6 | 165*50*16.5   |
| OTM-SS50  | 50W          | 12V/24V        | 4.17A/2.08A    | 86%        | >0.6 | 165*50*16.5   |
| OTM-SS60  | 60W          | 12V/24V        | 5A/2.5A        | 86%        | >0.6 | 185*63.5*22   |
| OTM-SS80  | 80W          | 12V/24V        | 6.67A/3.33A    | 86%        | >0.6 | 185*63.5*22   |
| Slim Type B (PF>0.9/Free Flicker /Match ERP Standard) |              |                |                |            |      |               |
| Model No.   | Output power | Output voltage | Output current | Efficiency | PF   | Size(L*W*H)mm |
| OTM-SS20  | 20W          | 12V/24V        | 1.67A/0.83A    | 86%        | >0.9 | 159*59*18     |
| OTM-SS30  | 30W          | 12V/24V        | 2.5A/1.25A     | 86%        | >0.9 | 159*59*18     |
| OTM-SS40  | 40W          | 12V/24V        | 3.3A/1.67A     | 86%        | >0.9 | 159*59*18     |
| OTM-SS50  | 50W          | 12V/24V        | 4.17A/2.08A    | 86%        | >0.9 | 185*63.5*22   |
| OTM-SS60  | 60W          | 12V/24V        | 5A/2.5A        | 86%        | >0.9 | 185*63.5*22   |

# Ultra-Thin LED Driver

- Input Voltage 100-264Vac/180-240Vac/90-130Vac
- High Efficiency design
- IP67 design
- Open Circuit,Short Circuit,Over Load,Over Temperature ,Over voltage Protection
- 3 years warranty



Applied to LED Strip Light,LED Module,LED Neon,LED Mirror Light,LED Furniture Light,etc



## Typical Specifications

\*The following power, output voltage and output current can be adjusted according to customer requirements.

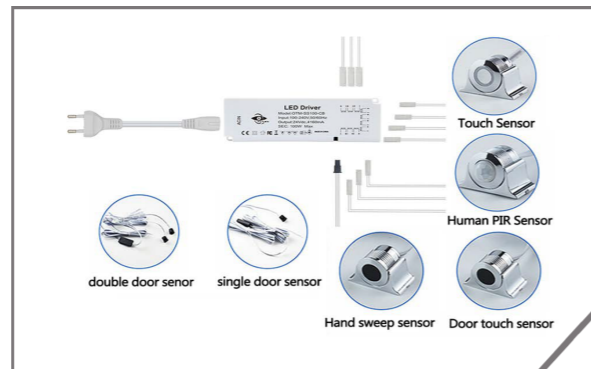
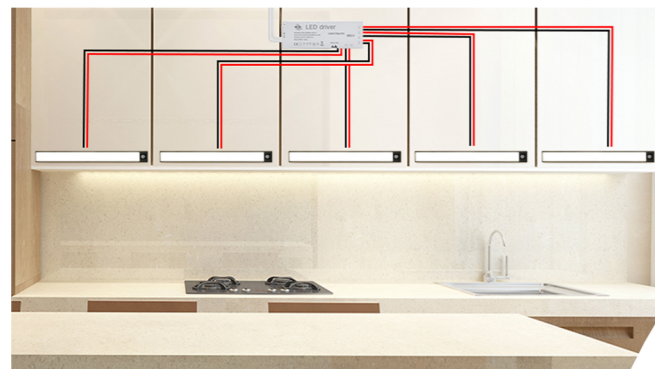
| 100-264Vac           |              |                |                |            |      |               |
|----------------------|--------------|----------------|----------------|------------|------|---------------|
| Model No.            | Output power | Output voltage | Output current | Efficiency | PF   | Size(L*W*H)mm |
| OTM-SSW20            | 20W          | 12V/24V        | 1.67A/0.83A    | 91-93%     | >0.6 | 134*53*20     |
| OTM-SSW25            | 25W          | 12V/24V        | 2.1A/1.04A     | 91-93%     | >0.6 | 134*53*20     |
| OTM-SSW30            | 30W          | 12V/24V        | 2.5A/1.25A     | 91-93%     | >0.6 | 134*53*20     |
| OTM-SSW40            | 40W          | 12V/24V        | 3.3A/1.67A     | 91-93%     | >0.6 | 134*53*20     |
| OTM-SSW50            | 50W          | 12V/24V        | 4.17A/2.08A    | 91-93%     | >0.6 | 164*53*20     |
| OTM-SSW60            | 60W          | 12V/24V        | 5A/2.5A        | 91-93%     | >0.6 | 164*53*20     |
| OTM-SSW80            | 80W          | 12V/24V        | 6.67A/3.33A    | 91-93%     | >0.6 | 183*63*20     |
| OTM-SSW100           | 100W         | 12V/24V        | 8.33A/4.16A    | 91-93%     | >0.6 | 183*63*20     |
| 180-240Vac/90-130Vac |              |                |                |            |      |               |
| Model No.            | Output power | Output voltage | Output current | Efficiency | PF   | Size(L*W*H)mm |
| OTM-SSW150           | 150W         | 12V/24V        | 12.5A/6.25A    | 91-93%     | >0.6 | 202*67*29     |
| OTM-SSW200           | 200W         | 12V/24V        | 16.7A/8.33A    | 91-93%     | >0.6 | 236*67*29     |
| OTM-SSW250           | 250W         | 12V/24V        | 21A/10.5A      | 91-93%     | >0.6 | 236*67*29     |

# Ultra-thin Cabinet Light LED Driver

- Power range:18W-100W ,IP20 design
- Input voltage 100-240 Vac
- Ultra thin design 18mm- Hidden Installation
- With 6-10pcs DuPont terminal and master control, make your wiring more reasonable and simple
- Connecting human PIR sensor, hand swinging sensor,touch sensor
- 100% full load aging test
- Open Circuit,Short Circuit,Over Load,Over Heat Protection
- 3 years warranty



Applied to LED Strip Light,LED Module,LED Neon,LED Mirror Light,LED Furniture Light,etc

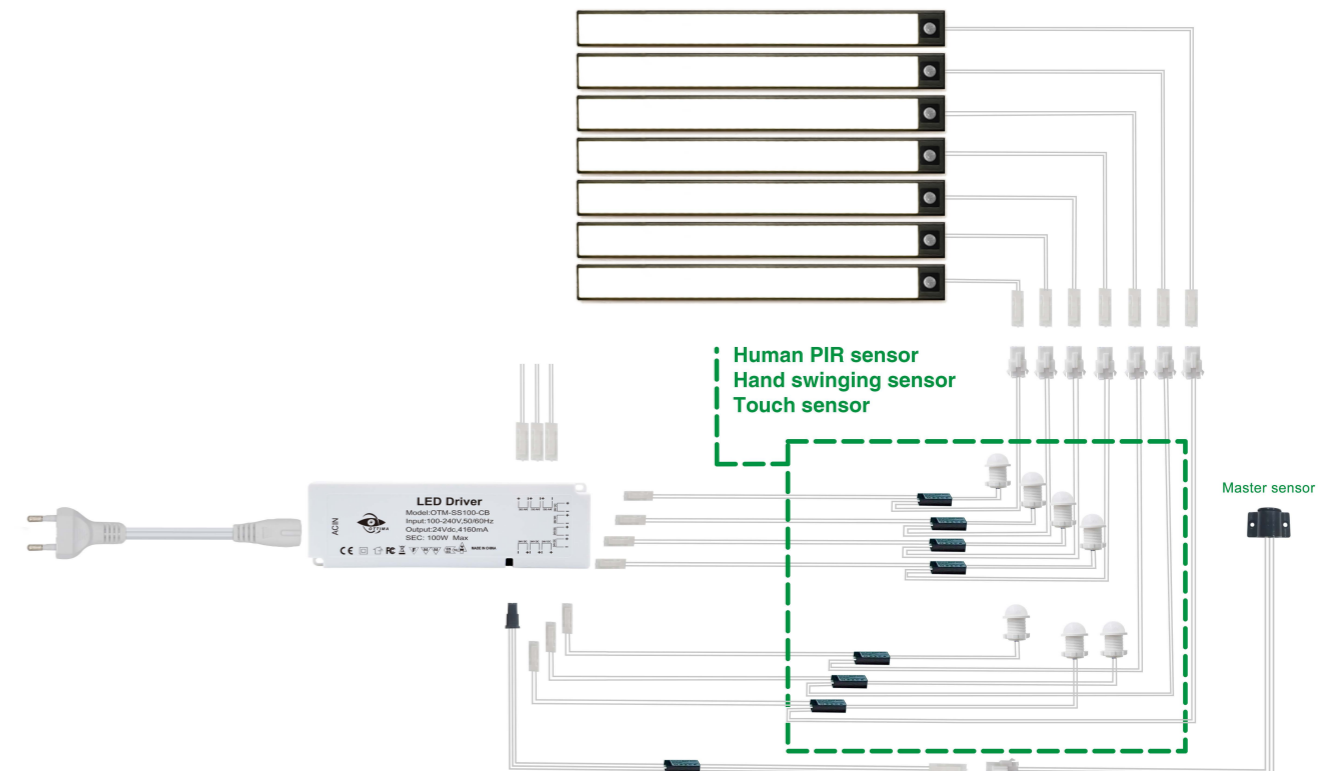


Applied to LED Cabinet Light, LED strip,LED light bar,LED module, LED neon,LED advertising screen and other LED lights,etc.

## Typical Specifications

\*The following power, output voltage and output current can be adjusted according to customer requirements.

| Model No.    | Output power | Output voltage | Output current | Efficiency | PF   | Size(L*W*H)mm |
|--------------|--------------|----------------|----------------|------------|------|---------------|
| OTM-SS18-CB  | 18W          | 12V/24V        | 1.5A/0.75A     | 88%        | >0.6 | 118*52*18     |
| OTM-SS24-CB  | 24W          | 12V/24V        | 2A/1A          | 88%        | >0.6 | 118*52*18     |
| OTM-SS30-CB  | 30W          | 12V/24V        | 2.5A/1.25A     | 88%        | >0.6 | 118*52*18     |
| OTM-SS36-CB  | 36W          | 12V/24V        | 3A/1.5A        | 88%        | >0.6 | 138*55*18     |
| OTM-SS50-CB  | 50W          | 12V/24V        | 4.16A/2.08A    | 89%        | >0.6 | 138*55*18     |
| OTM-SS60-CB  | 60W          | 12V/24V        | 5A/2.5A        | 90%        | >0.6 | 168*60*20     |
| OTM-SS75-CB  | 75W          | 12V/24V        | 6.25A/3.13A    | 90%        | >0.6 | 198*60*20     |
| OTM-SS80-CB  | 80W          | 12V/24V        | 6.67A/3.33A    | 90%        | >0.6 | 198*60*20     |
| OTM-SS100-CB | 100W         | 12V/24V        | 8.3A/4.16A     | 90%        | >0.6 | 198*60*20     |



# Linear LED Driver IP65

- Input Voltage 90-264Vac
- High Efficiency for IP65 design
- Power Range: 18-72W
- Short Circuit, Over Temperature, Over Current, Over Load, Over Voltage Protection
- 2 years warranty



Applied to LED Strip Light, LED Module, LED Neon, LED Mirror Light, LED Furniture Light, etc



## Typical Specifications

\*The following power, output voltage and output current can be adjusted according to customer requirements.

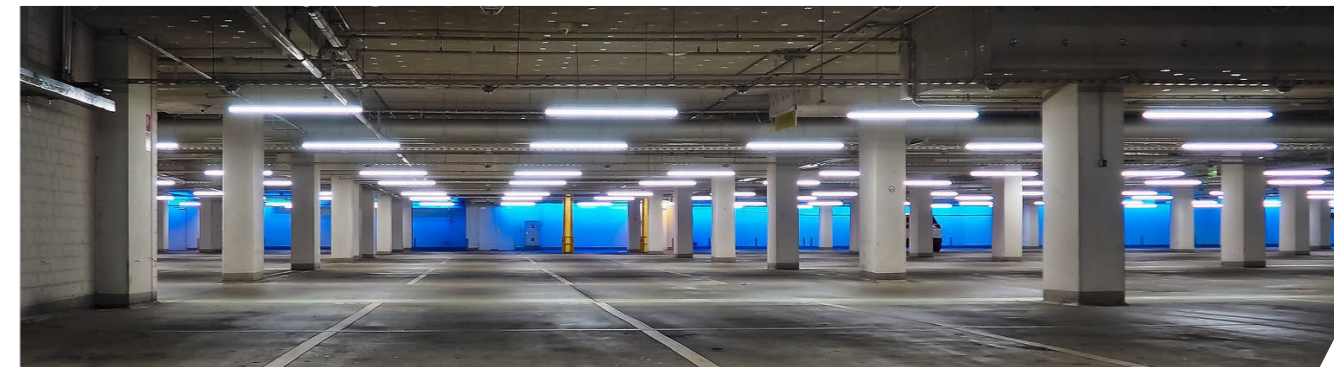
| Model No.     | Output power | Output voltage | Output current | Efficiency | PF   | Size(L*W*H)mm |
|---------------|--------------|----------------|----------------|------------|------|---------------|
| OTM-SS18-LW12 | 18W          | 12V            | 1.5A           | 84-88%     | >0.6 | 150*20*20     |
| OTM-SS18-LW24 | 18W          | 24V            | 0.75A          | 84-88%     | >0.6 | 150*20*20     |
| OTM-SS24-LW12 | 24W          | 12V            | 2A             | 84-88%     | >0.6 | 150*20*20     |
| OTM-SS24-LW24 | 24W          | 24V            | 1A             | 84-88%     | >0.6 | 150*20*20     |
| OTM-SS36-LW12 | 36W          | 12V            | 3A             | 84-88%     | >0.6 | 258*20*20     |
| OTM-SS36-LW24 | 36W          | 24V            | 1.5A           | 84-88%     | >0.6 | 258*20*20     |
| OTM-SS48-LW12 | 48W          | 12V            | 4A             | 84-88%     | >0.6 | 283*20*20     |
| OTM-SS48-LW24 | 48W          | 24V            | 2A             | 84-88%     | >0.6 | 283*20*20     |
| OTM-SS60-LW12 | 60W          | 12V            | 5A             | 84-88%     | >0.6 | 318*20*20     |
| OTM-SS60-LW24 | 60W          | 24V            | 2.5A           | 84-88%     | >0.6 | 318*20*20     |
| OTM-SS72-LW12 | 72W          | 12V            | 6A             | 84-88%     | >0.6 | 337*20*20     |
| OTM-SS72-LW24 | 72W          | 24V            | 3A             | 84-88%     | >0.6 | 337*20*20     |

# Linear LED Driver IP20

- Input Voltage 90-264Vac
- High Efficiency for IP20 design
- Power Range: 18-96W
- Short Circuit, Over Temperature, Over Current, Over Load, Over Voltage Protection
- 2 years warranty



Applied to LED Strip Light, LED Module, LED Neon, LED Mirror Light, LED Furniture Light, etc



## Typical Specifications

\*The following power, output voltage and output current can be adjusted according to customer requirements.

| Model No.    | Output power | Output voltage | Output current | Efficiency | PF   | Size(L*W*H)mm |
|--------------|--------------|----------------|----------------|------------|------|---------------|
| OTM-SS18-L12 | 18W          | 12V            | 1.5A           | 84-88%     | >0.6 | 175*18*18     |
| OTM-SS18-L24 | 18W          | 24V            | 0.75A          | 84-88%     | >0.6 | 175*18*18     |
| OTM-SS24-L12 | 24W          | 12V            | 2A             | 84-88%     | >0.6 | 175*18*18     |
| OTM-SS24-L24 | 24W          | 24V            | 1A             | 84-88%     | >0.6 | 175*18*18     |
| OTM-SS36-L12 | 36W          | 12V            | 3A             | 84-88%     | >0.6 | 235*18*18     |
| OTM-SS36-L24 | 36W          | 24V            | 1.5A           | 84-88%     | >0.6 | 235*18*18     |
| OTM-SS48-L12 | 48W          | 12V            | 4A             | 84-88%     | >0.6 | 245*18*18     |
| OTM-SS48-L24 | 48W          | 24V            | 2A             | 84-88%     | >0.6 | 245*18*18     |
| OTM-SS60-L12 | 60W          | 12V            | 5A             | 84-88%     | >0.6 | 335*18*18     |
| OTM-SS60-L24 | 60W          | 24V            | 2.5A           | 84-88%     | >0.6 | 335*18*18     |
| OTM-SS72-L12 | 72W          | 12V            | 6A             | 84-88%     | >0.6 | 345*18*18     |
| OTM-SS72-L24 | 72W          | 24V            | 3A             | 84-88%     | >0.6 | 345*18*18     |
| OTM-SS84-L12 | 84W          | 12V            | 7A             | 84-88%     | >0.6 | 345*18*18     |
| OTM-SS84-L24 | 84W          | 24V            | 3.5A           | 84-88%     | >0.6 | 345*18*18     |
| OTM-SS96-L24 | 96W          | 24V            | 4A             | 84-88%     | >0.6 | 345*18*18     |

## Constant Voltage IP20 LED Driver

- Input Voltage 90-264Vac
- High Efficiency, IP20 design
- Power Range 6-80W
- Short Circuit, Over Temperature, Over Current, Over Load, Over Voltage Protection
- 3 years warranty



Applied to LED Strip, LED Neon, LED Module, etc



### Typical Specifications

\*The following power, output voltage and output current can be adjusted according to customer requirements.

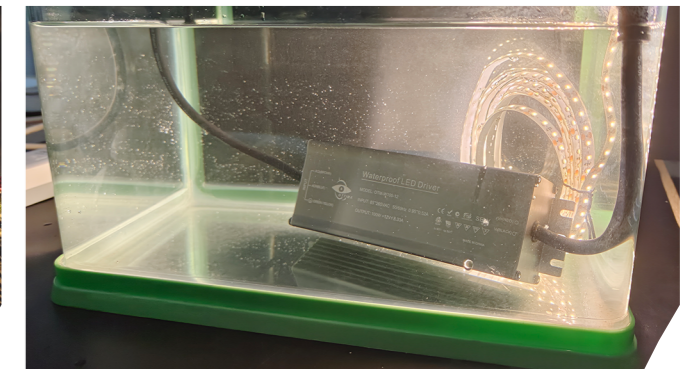
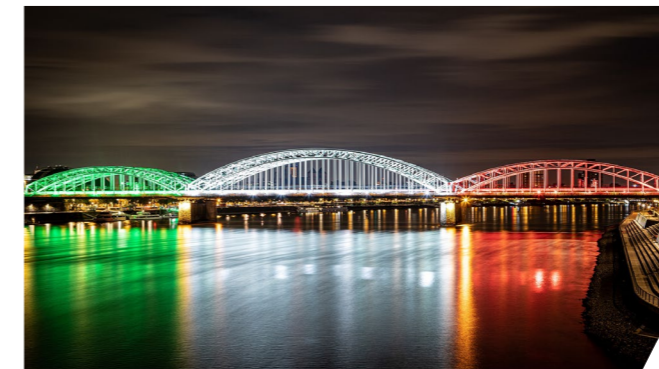
| Model No.  | Output power | Output voltage | Output current | Efficiency | PF   | Size(L*W*H)mm |
|------------|--------------|----------------|----------------|------------|------|---------------|
| OTM-E6     | 6W           | 12V/24V        | 0.5A/0.25A     | 85%        | >0.6 | 42*42*22      |
| OTM-E12    | 12W          | 12V/24V        | 1A/0.5A        | 85%        | >0.6 | 76*38*24      |
| OTM-E15    | 15W          | 12V/24V        | 1.25A/0.63A    | 85%        | >0.6 | 76*38*24      |
| OTM-E20    | 20W          | 12V/24V        | 1.66A/0.83A    | 85%        | >0.6 | 95*44*24      |
| OTM-E24    | 24W          | 12V/24V        | 2A/1A          | 85%        | >0.6 | 95*44*24      |
| OTM-E30    | 30W          | 12V/24V        | 2.5A/1.25A     | 85%        | >0.6 | 95*44*24      |
| OTM-E50    | 50W          | 12V/24V        | 4.16A/2.08A    | 85%        | >0.6 | 120*49*39     |
| OTM-E60    | 60W          | 12V/24V        | 5A/2.5A        | 85%        | >0.6 | 120*49*39     |
| OTM-E75    | 75W          | 12V/24V        | 6.25A/3.13A    | 85%        | >0.6 | 120*49*39     |
| OTM-E80    | 80W          | 12V/24V        | 6.67A/3.33A    | 85%        | >0.6 | 120*49*39     |
| OTM-SS6-E  | 6W           | 12V/24V        | 0.5A/0.25A     | 85%        | >0.6 | 91*41*18.6    |
| OTM-SS12-E | 12W          | 12V/24V        | 1A/0.5A        | 85%        | >0.6 | 91*41*18.6    |
| OTM-SS15-E | 15W          | 12V/24V        | 1.25A/0.625A   | 85%        | >0.6 | 91*41*18.6    |
| OTM-SS20-E | 20W          | 12V/24V        | 1.66A/0.83A    | 85%        | >0.6 | 91*41*18.6    |
| OTM-SS24-E | 24W          | 12V/24V        | 2A/1A          | 85%        | >0.6 | 91*41*18.6    |
| OTM-SS30-E | 30W          | 12V/24V        | 2.5A/1.25A     | 85%        | >0.6 | 91*41*18.6    |

## Constant Voltage IP67 LED Driver

- Input Voltage 90-264Vac
- High PF, High Efficiency, IP67 design
- Full-Isolated, Power Range: 30-500W
- Short Circuit, Over Temperature, Over Current, Over Load, Over Voltage Protection
- 5 years warranty



Applied to LED Strip, LED Neon, LED Module, etc



### Typical Specifications

\*The following power, output voltage and output current can be adjusted according to customer requirements.

| Model No. | Output power | Output voltage | Output current | Efficiency | PF    | Size(L*W*H)mm |
|-----------|--------------|----------------|----------------|------------|-------|---------------|
| OTM-W30   | 30W          | 12V/24V        | 2.5A/1.25A     | 85-91%     | >0.98 | 150*44*32     |
| OTM-W40   | 40W          | 12V/24V        | 3.3A/1.67A     | 85-91%     | >0.98 | 150*44*32     |
| OTM-W45   | 45W          | 12V/24V        | 3.75A/1.875A   | 85-91%     | >0.98 | 150*44*32     |
| OTM-W50   | 50W          | 12V/24V        | 4.17A/2.08A    | 85-91%     | >0.98 | 150*44*32     |
| OTM-W60   | 60W          | 12V/24V        | 5A/2.5A        | 85-91%     | >0.98 | 154*57*30     |
| OTM-W80   | 80W          | 12V/24V        | 6.67A/3.33A    | 85-91%     | >0.98 | 164*57*30     |
| OTM-W100  | 100W         | 12V/24V        | 8.33A/4.17A    | 85-91%     | >0.98 | 168*67*29     |
| OTM-W120  | 120W         | 12V/24V        | 10A/5A         | 85-91%     | >0.98 | 168*67*29     |
| OTM-W150  | 150W         | 12V/24V        | 12.5A/6.3A     | 85-91%     | >0.98 | 184*67*29     |
| OTM-W180  | 180W         | 12V/24V        | 15A/7.5A       | 85-91%     | >0.98 | 214*67*29     |
| OTM-W200  | 200W         | 12V/24V        | 16.7A/8.33A    | 85-91%     | >0.98 | 214*67*29     |
| OTM-W240  | 240W         | 12V/24V        | 20.8A/10.42A   | 85-91%     | >0.98 | 214*67*29     |
| OTM-W300  | 300W         | 12V/24V        | 25A/12.5A      | 85-91%     | >0.98 | 240*76*39     |
| OTM-W350  | 350W         | 12V/24V        | 30A/14.5A      | 85-91%     | >0.98 | 243*89*43     |
| OTM-W400  | 400W         | 12V/24V        | 33.3A/16.7A    | 85-91%     | >0.9  | 260*89*43     |
| OTM-W500  | 500W         | 12V/24V        | 41.66A/20.8A   | 85-91%     | >0.9  | 280*145*50    |

## Round shape LED Driver

- Input Voltage 90-130Vac/180-240Vac
- Power range 12-80W
- Short Circuit, Over Temperature, Over Current, Over Load, Over Voltage Protection
- 5 years warranty



Applied to LED Corn Light, High Bay, LED Miner Light, etc



### Typical Specifications

\*The following power, output voltage and output current can be adjusted according to customer requirements.

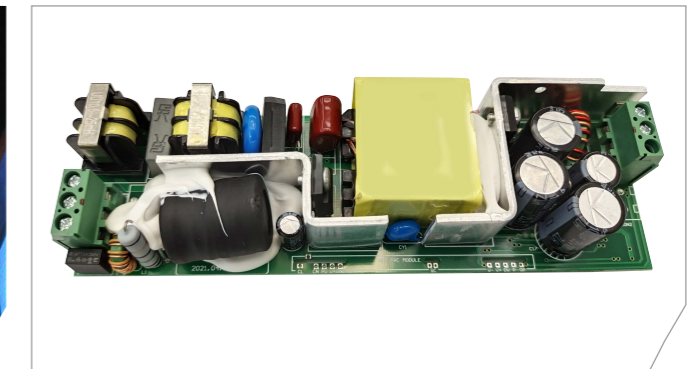
| Constant Voltage |              |                      |                      |            |       |               |
|------------------|--------------|----------------------|----------------------|------------|-------|---------------|
| Model No.        | Output power | Output voltage       | Output current       | Efficiency | PF    | Size(L*W*H)mm |
| OTM-TDR12        | 12W          | 12V/24V              | 1A/0.5A              | 86%        | >0.95 | D67*21        |
| OTM-TDR20        | 20W          | 12V/24V              | 1.5A/0.83A           | 86%        | >0.95 | D67*21        |
| OTM-TDR30        | 30W          | 12V/24V              | 2A/1.25A             | 86%        | >0.95 | D73*27        |
| OTM-TDR40        | 40W          | 12V/24V              | 3A/1.67A             | 86%        | >0.95 | D79*31        |
| OTM-TDR60        | 60W          | 12V/24V              | 4A/2.5A              | 86%        | >0.95 | D102*31       |
| OTM-TDR80        | 80W          | 12V/24V              | 5.5A/3.33A           | 86%        | >0.95 | D102*31       |
| Constant Current |              |                      |                      |            |       |               |
| Model No.        | Output power | Output voltage       | Output current       | Efficiency | PF    | Size(L*W*H)mm |
| OTM-TDR34540     | 12W          | 24-34V/17-24V/12-17V | 350mA/500mA/700mA    | 88%        | >0.95 | D67*21        |
| OTM-TDR40500     | 20W          | 28-40V/20-28V/16-22V | 500MA/700MA/900MA    | 88%        | >0.95 | D67*21        |
| OTM-TDR42700     | 30W          | 30-42V/23-33V/18-25V | 700MA/900MA/1200MA   | 88%        | >0.95 | D73*27        |
| OTM-TDR45900     | 40W          | 32-45V/23-33V/19-27V | 900MA/1200MA/1500MA  | 88%        | >0.95 | D79*31        |
| OTM-TDR501200    | 60W          | 35-50V/28-40V/23-33V | 1200MA/1500MA/1800MA | 88%        | >0.95 | D102*31       |
| OTM-TDR531500    | 80W          | 37-53V/30-44V/25-36V | 1500MA/1800MA/2200MA | 88%        | >0.95 | D102*31       |

## Triac Dimmable LED Driver

- Input Voltage:90-130Vac/180-240Vac
- Power range 12-100W
- IP20 design, Leading/Trailing Edge Dimming
- Short Circuit, Over Temperature, Over Current, Over Load, Over Voltage Protection
- 5 years warranty



Applied to LED Strip, LED Neon, LED Module, LED Street Light, LED Panel Light, LED Floodlight, etc



### Typical Specifications

\*The following power, output voltage and output current can be adjusted according to customer requirements.

| Constant Voltage |              |                      |                      |            |       |               |
|------------------|--------------|----------------------|----------------------|------------|-------|---------------|
| Model No.        | Output power | Output voltage       | Output current       | Efficiency | PF    | Size(L*W*H)mm |
| OTM-TD12         | 12W          | 12V/24V              | 1A/0.5A              | 86%        | >0.95 | 100*36*18     |
| OTM-TD20         | 20W          | 12V/24V              | 1.5A/0.83A           | 86%        | >0.95 | 100*36*18     |
| OTM-TD30         | 30W          | 12V/24V              | 2A/1.25A             | 85%        | >0.95 | 107*40*22     |
| OTM-TD40         | 40W          | 12V/24V              | 3A/1.67A             | 85%        | >0.95 | 132*44*29     |
| OTM-TD60         | 60W          | 12V/24V              | 4A/2.5A              | 85%        | >0.95 | 132*44*29     |
| OTM-TD80         | 80W          | 12V/24V              | 5.5A/3.33A           | 85%        | >0.95 | 170*50*31     |
| OTM-TD100        | 100W         | 12V/24V              | 7A/4.17A             | 85%        | >0.95 | 190*65*29     |
| Constant Current |              |                      |                      |            |       |               |
| Model No.        | Output power | Output voltage       | Output current       | Efficiency | PF    | Size(L*W*H)mm |
| OTM-TD34540      | 12W          | 24-34V/17-24V/12-17V | 350mA/500mA/700mA    | 88%        | >0.95 | 100*36*18     |
| OTM-TD40500      | 20W          | 28-40V/20-28V/16-22V | 500MA/700MA/900MA    | 88%        | >0.95 | 100*36*18     |
| OTM-TD42700      | 30W          | 30-42V/23-33V/18-25V | 700MA/900MA/1200MA   | 88%        | >0.95 | 107*40*22     |
| OTM-TD45900      | 40W          | 32-45V/23-33V/19-27V | 900MA/1200MA/1500MA  | 88%        | >0.95 | 134*44*23     |
| OTM-TD501200     | 60W          | 35-50V/28-40V/23-33V | 1200MA/1500MA/1800MA | 88%        | >0.95 | 132*44*29     |
| OTM-TD531500     | 80W          | 37-53V/30-44V/25-36V | 1500MA/1800MA/2200MA | 88%        | >0.95 | 170*50*31     |
| OTM-TD551800     | 100W         | 38-55V/30-43V/25-35V | 1800MA/2300MA/2800MA | 88%        | >0.95 | 190*65*29     |

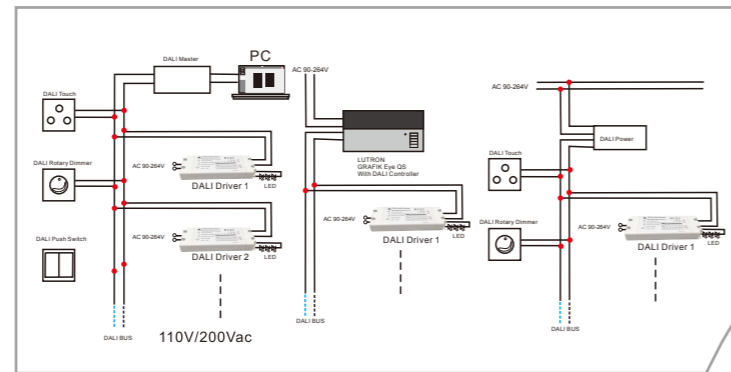


# DALI Dimmable LED Driver

- Input Voltage 90-264Vac
- High PF,High Efficiency, IP20/IP67 design
- Full-Isolated,Power Range 30-400W
- Short Circuit, Over Temperature, Over Current,Over Load, Over Voltage Protection
- 5 years warranty



Applied to LED Strip, LED Neon, LED Module, etc



## Typical Specifications

\*The following power, output voltage and output current can be adjusted according to customer requirements.

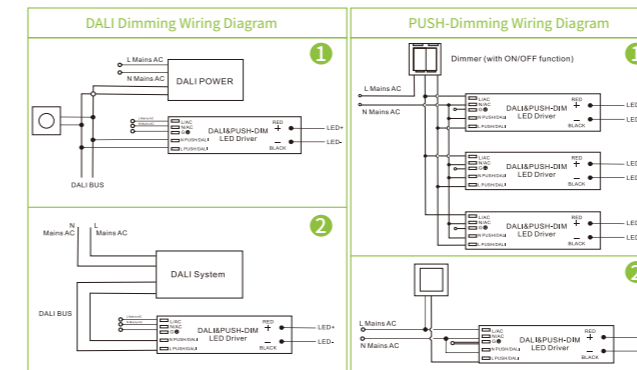
| Constant Voltage |              |                |                |            |               |      |
|------------------|--------------|----------------|----------------|------------|---------------|------|
| Model No.        | Output power | Output voltage | Output current | Efficiency | Size(L*W*H)mm | IP   |
| OTM-DD30         | 30W          | 12V/24V        | 2.5A/1.25A     | 85%        | 180*60*34     | IP20 |
| OTM-DD36         | 36W          | 12V/24V        | 3A/1.5A        | 85%        | 180*60*334    | IP20 |
| OTM-DD45         | 45W          | 12V/24V        | 3.75A/1.87A    | 85%        | 180*60*34     | IP20 |
| OTM-DDW80        | 80W          | 12V/24V        | 6.67A/3.33A    | 85%        | 178*56*35     | IP67 |
| OTM-DDW100       | 100W         | 12V/24V        | 8.33A/4.17A    | 85%        | 220*70*40     | IP67 |
| OTM-DDW150       | 150W         | 12V/24V        | 12.5A/6.25A    | 85%        | 240*70*40     | IP67 |
| OTM-DDW200       | 200W         | 12V/24V        | 16.7A/8.33A    | 85%        | 260*70*40     | IP67 |
| OTM-DDW350       | 350W         | 12V/24V        | 30A/15A        | 85%        | 280*89*43     | IP67 |
| OTM-DDW400       | 400W         | 24V            | 16.67A         | 85%        | 280*89*43     | IP67 |
| Constant Current |              |                |                |            |               |      |
| OTM-DD40500      | 20W          | 3-40V          | 500mA          | 85%        | 140*45*28     | IP20 |
| OTM-DD251400     | 35W          | 15-25V         | 1400mA         | 85%        | 180*60*34     | IP20 |
| OTM-DD50900      | 45W          | 30-50V         | 900mA          | 85%        | 180*60*34     | IP20 |
| OTM-DDW361800    | 60W          | 30-36V         | 1800mA         | 85%        | 186*56*35     | IP67 |
| OTM-DDW363000    | 100W         | 30-36V         | 3000mA         | 85%        | 196*68*39     | IP67 |
| OTM-DDW364500    | 150W         | 30-36V         | 4500mA         | 85%        | 216*68*39     | IP67 |

# DALI & Push Dimmable 2 in1

- Power range 25-360W,Input Voltage 100-277Vac
- IP 67/IP20 design
- Dimming function: Built in DALI interface dimming function conform to DALI Protocol IEC62386
- Short Circuit, Over Temperature, Over Current, Over Load, Over Voltage Protection
- Dimming range: 0-100%, LED start at 0.1% possible
- 7 years warranty



LED strip,LED light bar,LED module,LED neon, LED advertising screen and other LED lights,etc.



## Typical Specifications

\*The following power, output voltage and output current can be adjusted according to customer requirements.

| Model No.      | Output power | Output voltage | Output current | Efficiency | Size(L*W*H)mm | IP   |
|----------------|--------------|----------------|----------------|------------|---------------|------|
| OTM-TD25-DP    | 25W          | 12V/24V        | 2.08A/1.04A    | 85%        | 155*54*20     | IP20 |
| OTM-TD50-DP    | 50W          | 12V/24V        | 4.17A/2.08A    | 85%        | 178*60*24     | IP20 |
| OTM-TD75-DP    | 75W          | 12V/24V        | 6.25A/3.13A    | 85%        | 180*60*35     | IP20 |
| OTM-TD80-DPW   | 80W          | 12V/24V        | 6.67A/3.33A    | 85%        | 210*70*46     | IP67 |
| OTM-TD100-DPW  | 100W         | 12V/24V        | 8.33A/4.17A    | 85%        | 210*70*46     | IP67 |
| OTM-TD150-DPW  | 150W         | 12V/24V        | 12.5A/6.25A    | 85%        | 245*70*43     | IP67 |
| OTM-TD200-DPW  | 200W         | 12V/24V        | 16.67A/8.3A    | 85%        | 245*70*43     | IP67 |
| OTM-TD300-DPW  | 300W         | 12V/24V        | 25A/12.5A      | 85%        | 276*78*47     | IP67 |
| OTM-TD360-DPW  | 360W         | 12V/24V        | 30A/15A        | 85%        | 276*78*47     | IP67 |
| OTM-TD30-DPS   | 30W          | 12V/24V        | 2.5A/1.25A     | 86%        | 260*30*18     | IP20 |
| OTM-TD30-DPSW  | 30W          | 12V/24V        | 2.5A/1.25A     | 86%        | 262*32*20     | IP67 |
| OTM-TD60-DPS   | 60W          | 12V/24V        | 5A/2.5A        | 86%        | 300*30*18     | IP20 |
| OTM-TD60-DPSW  | 60W          | 12V/24V        | 5A/2.5A        | 86%        | 300*32*20     | IP67 |
| OTM-TD100-DPS  | 100W         | 12V/24V        | 8.33A/4.17A    | 86%        | 330*30*22     | IP20 |
| OTM-TD100-DPSW | 100W         | 12V/24V        | 8.33A/4.17A    | 86%        | 330*32*23     | IP67 |

# TABLE OF CONTENTS

Dimming Power Expert  
Your Lights' Housekeeper



**01 Phase Cut/Triac Dimmable LED Driver**  
**P.15-20** VR/PWM Output,  
 ELV/MLV Leading&Trailing Edge  
 Dimming range 0.01-100%  
 Loading :0.01-100%  
 110-277Vac

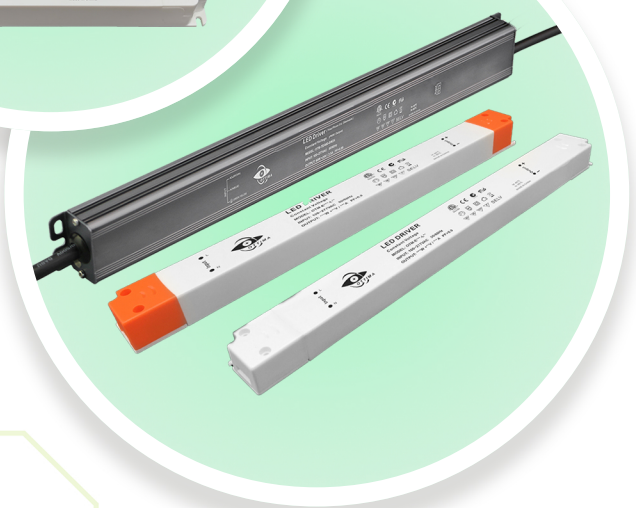
**02 Mini Triac Dimmable LED Driver**  
**P.21-22** Power range:60-96W  
 Mini Size:84\*45\*20mm  
 ELV Trailing Edge

**03 5 in 1 dimmable**  
**P.23-28** Triac dimmable/0-10V/1-10V/10V PWM/Potentiometer  
 Dimming range:0.01-100%  
 Loading:0.01-100%  
 110-277Vac

**04 Supports dimming linear bicolor 5 in 1 dimmable**  
**P.29-30** Triac dimmable/0-10V/1-10V/10V PWM/Potentiometer  
 Dimming range:0.01-100%  
 Loading:0.01-100%  
 110-277Vac

**05 4 in 1 dimmable**  
**P.31-36** 0-10V/1-10V/10V PWM/Potentiometer  
 Dimming range:0-100%  
 Loading:10-100%  
 100-277Vac

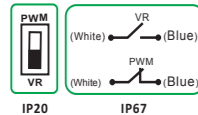
**06 Non-Dimmable**  
**P.37-40** Input 110-277Vac  
 Loading: 0-100%  
 IP20/IP67  
 7 Years Warranty



SELV     **Class 2 WET**  
**Class P TYPE HL**

# Triac Dimmable LED Driver

Triac/Forward and Reverse phase (leading and trailing edge)/MLV/ ELV dimmer  
Switch to PWM or Voltage Regulation output



- VR&PWM output, not change the color index
- Input Voltage:110-277Vac
- Power Factor up to 0.98
- Dimming range 0.01-100%
- Loading Range 0.01-100%
- Protection:short circuit/over load/ Over temperature
- Full protection case, for dry , damp ,wet location
- Flicker-free
- Work with Triac/Forward and Reverse phase (leading and trailing edge)/MLV/ELV dimmer
- Cooling by free air convection
- 7 years warranty



## Typical Specifications

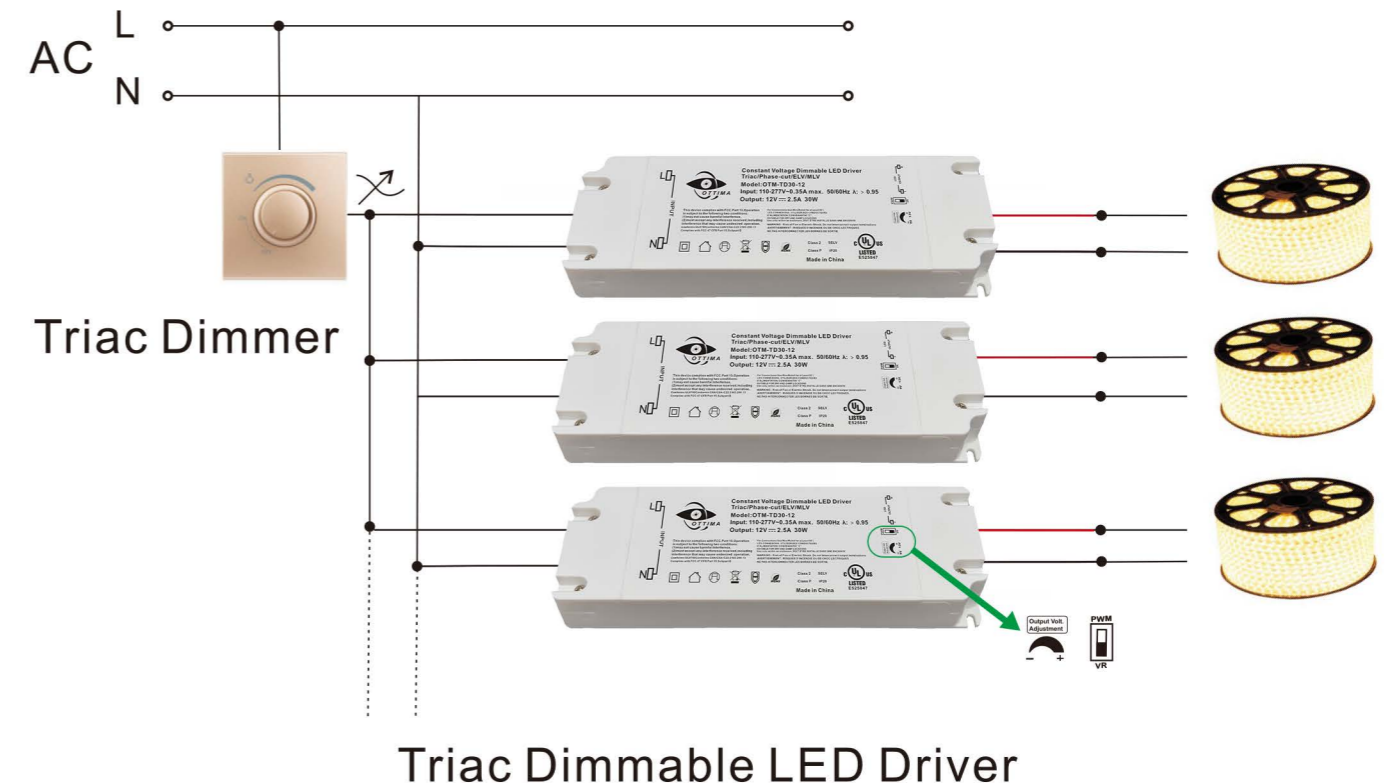
\*The following power, output voltage and output current can be adjusted according to customer requirements.

| Model No.                                 | Output power | Output voltage | Output current      | Efficiency | Size(L*W*H)mm | IP   |
|---|--------------|----------------|---------------------|------------|---------------|------|
| OTM-TD30                                  | 30W          | 12V/24V        | 2.5A/1.25A          | 86%        | 155*54*20     | IP20 |
| OTM-TD60                                  | 60W          | 12V/24V        | 5A/2.5A             | 86%        | 212*56*24     | IP20 |
| OTM-TD80                                  | 80W          | 12V/24V        | 6.67A/3.33A         | 86%        | 212*56*24     | IP20 |
| OTM-TD96                                  | 96W          | 24V            | 4A                  | 86%        | 212*56*24     | IP20 |
| OTM-TD100                                 | 100W         | 12V/24V        | 8.33A/4.17A         | 86%        | 212*56*24     | IP20 |
| OTM-TD120                                 | 120W         | 12V/24V        | 10A/5A              | 86%        | 273.4*78*46   | IP67 |
| OTM-TD150                                 | 150W         | 12V/24V        | 12.5A/6.25A         | 86%        | 273.4*78*46   | IP67 |
| OTM-TD200                                 | 200W         | 12V/24V        | 16.67A/8.33A        | 86%        | 273.4*78*46   | IP67 |
| OTM-TD300                                 | 300W         | 12V/24V        | 25A/12.5A           | 86%        | 304.4*78*48   | IP67 |
| <b>MULTI OUTPUT Current Class 2 model</b> |              |                |                     |            |               |      |
| OTM-TD120-M12                             | 120W         | 12V            | MULTI2x5A(2*60W)    | 86%        | 273.4*78*46   | IP67 |
| OTM-TD180-M12                             | 180W         | 12V            | MULTI3x5A(3*60W)    | 86%        | 273.4*78*46   | IP67 |
| OTM-TD192-M24                             | 192W         | 24V            | MULTI2x4A(2*96W)    | 86%        | 273.4*78*46   | IP67 |
| OTM-TD288-M24                             | 288W         | 24V            | MULTI3x4A(3*96W)    | 86%        | 304.4*78*48   | IP67 |
| OTM-TD300-M12                             | 300W         | 12V            | MULTI5x5A(5*60W)    | 86%        | 304.4*78*48   | IP67 |
| OTM-TD340-M24                             | 340W         | 24V            | MULTI4x3.54A(4*85W) | 86%        | 304.4*78*48   | IP67 |



## Applied to

LED strip,LED light bar,LED module,LED neon, LED advertising screen and other LED lights,etc.



# Triac Dimmable LED Driver

Triac/Forward and Reverse phase (leading and trailing edge)/MLV/ ELV dimmer Switch to PWM or Voltage Regulation output



- **JUNCTION BOX design,can be used directly**
- **Meet U.S.A,Canada standard**
- Input Voltage 110-277Vac
- Power Factor up to 0.98
- Dimming range 0.01-100%
- Loading Range 0.01-100%
- Protection:short circuit/over load/ Over temperature
- VR&PWM output, not change the color index
- Full protection case, for dry , damp,wet location
- Flicker-free
- Work with Triac/Forward and Reverse phase (leading and trailing edge)/MLV/ELV dimmer
- 7 years warranty



## Typical Specifications

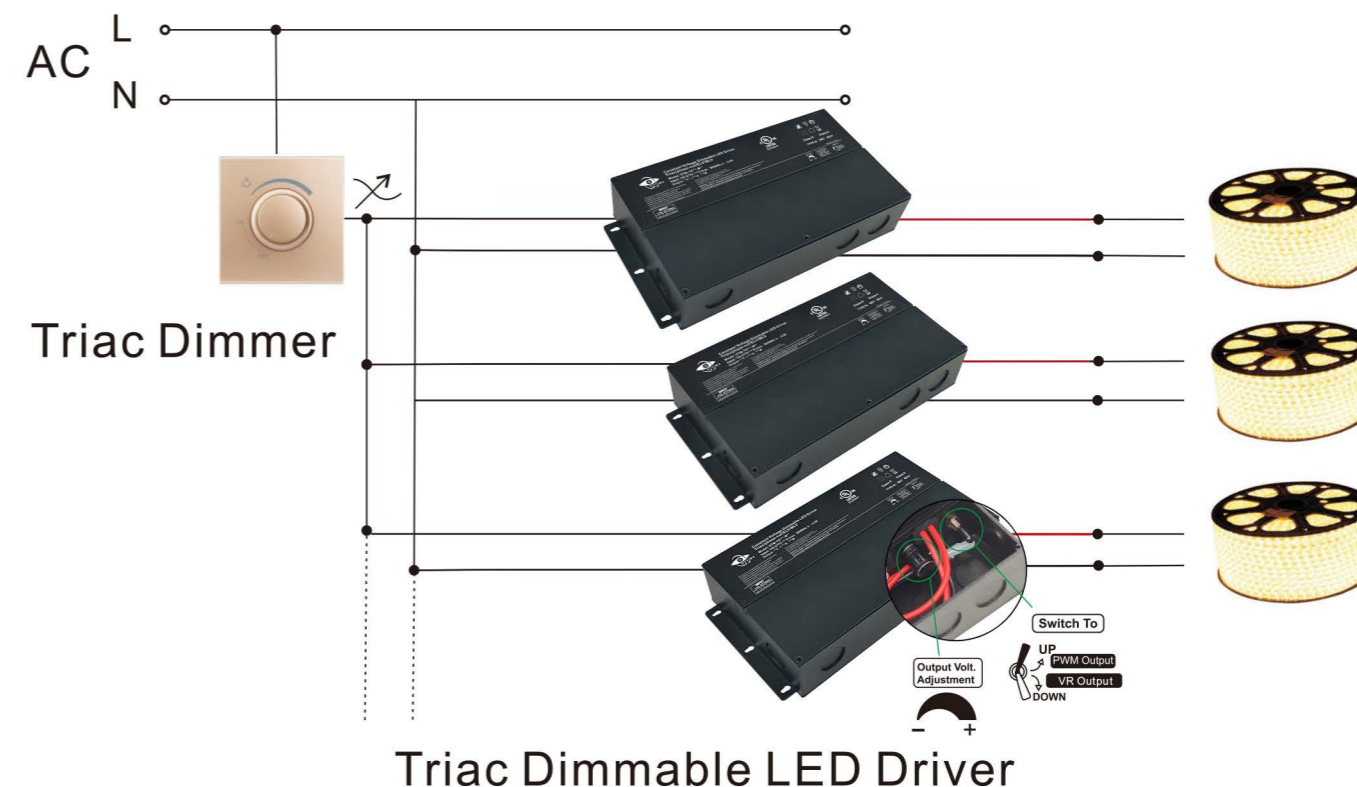
\*The following power, output voltage and output current can be adjusted according to customer requirements.

| Model No.                          | Output power | Output voltage | Output current      | Efficiency | Size(L*W*H)mm    | IP   |
|------------------------------------|--------------|----------------|---------------------|------------|------------------|------|
| OTM-TDJ30                          | 30W          | 12V/24V        | 2.5A/1.25A          | 86%        | 170.5*116*42     | IP65 |
| OTM-TDJ60                          | 60W          | 12V/24V        | 5A/2.5A             | 86%        | 226.5*117.5*42.5 | IP65 |
| OTM-TDJ80                          | 80W          | 12V/24V        | 6.67A/3.33A         | 86%        | 226.5*117.5*42.5 | IP65 |
| OTM-TDJ96                          | 96W          | 24V            | 4A                  | 86%        | 226.5*117.5*42.5 | IP65 |
| OTM-TDJ100                         | 100W         | 12V/24V        | 8.33A/4.17A         | 86%        | 226.5*117.5*42.5 | IP65 |
| OTM-TDJ120                         | 120W         | 12V/24V        | 10A/5A              | 86%        | 254*132*42.5     | IP65 |
| OTM-TDJ150                         | 150W         | 12V/24V        | 12.5A/6.25A         | 86%        | 254*132*42.5     | IP65 |
| OTM-TDJ200                         | 200W         | 12V/24V        | 16.67A/8.33A        | 86%        | 254*132*42.5     | IP65 |
| OTM-TDJ300                         | 300W         | 12V/24V        | 25A/12.5A           | 86%        | 289*132*42.5     | IP65 |
| MULTI OUTPUT Current Class 2 model |              |                |                     |            |                  |      |
| OTM-TD120-JM12                     | 120W         | 12V            | MULTI2x5A(2*60W)    | 86%        | 254*132*42.5     | IP65 |
| OTM-TD180-JM12                     | 180W         | 12V            | MULTI3x5A(3*60W)    | 86%        | 254*132*42.5     | IP65 |
| OTM-TD192-JM24                     | 192W         | 24V            | MULTI2x4A(2*96W)    | 86%        | 254*132*42.5     | IP65 |
| OTM-TD288-JM24                     | 288W         | 24V            | MULTI3x4A(3*96W)    | 86%        | 289*132*42.5     | IP65 |
| OTM-TD300-JM12                     | 300W         | 12V            | MULTI5x5A(5*60W)    | 86%        | 289*132*42.5     | IP65 |
| OTM-TD340-JM24                     | 340W         | 24V            | MULTI4x3.54A(4*85W) | 86%        | 289*132*42.5     | IP65 |



## Applied to

LED strip,LED light bar,LED module,LED neon, LED advertising screen and other LED lights,etc.



# Linear Triac Dimmable LED Driver

Triac/Forward and Reverse phase (leading and trailing edge)/MLV/ ELV dimmer



- **Used for Linear Shape application**
- Input Voltage 110-277Vac
- Power Factor up to 0.98
- Dimming range 0-100%
- Loading Range 10-100%
- Protection: short circuit/over load/ Over temperature
- PWM output, not change the color index
- Full protection case, for dry , damp ,wet location
- Flicker-free
- Work with Triac/Forward and Reverse phase (leading and trailing edge)/MLV/ELV dimmer
- Cooling by free air convection
- 7 years warranty



**Class 2 WET**  
**Class P TYPE HL**

## Typical Specifications

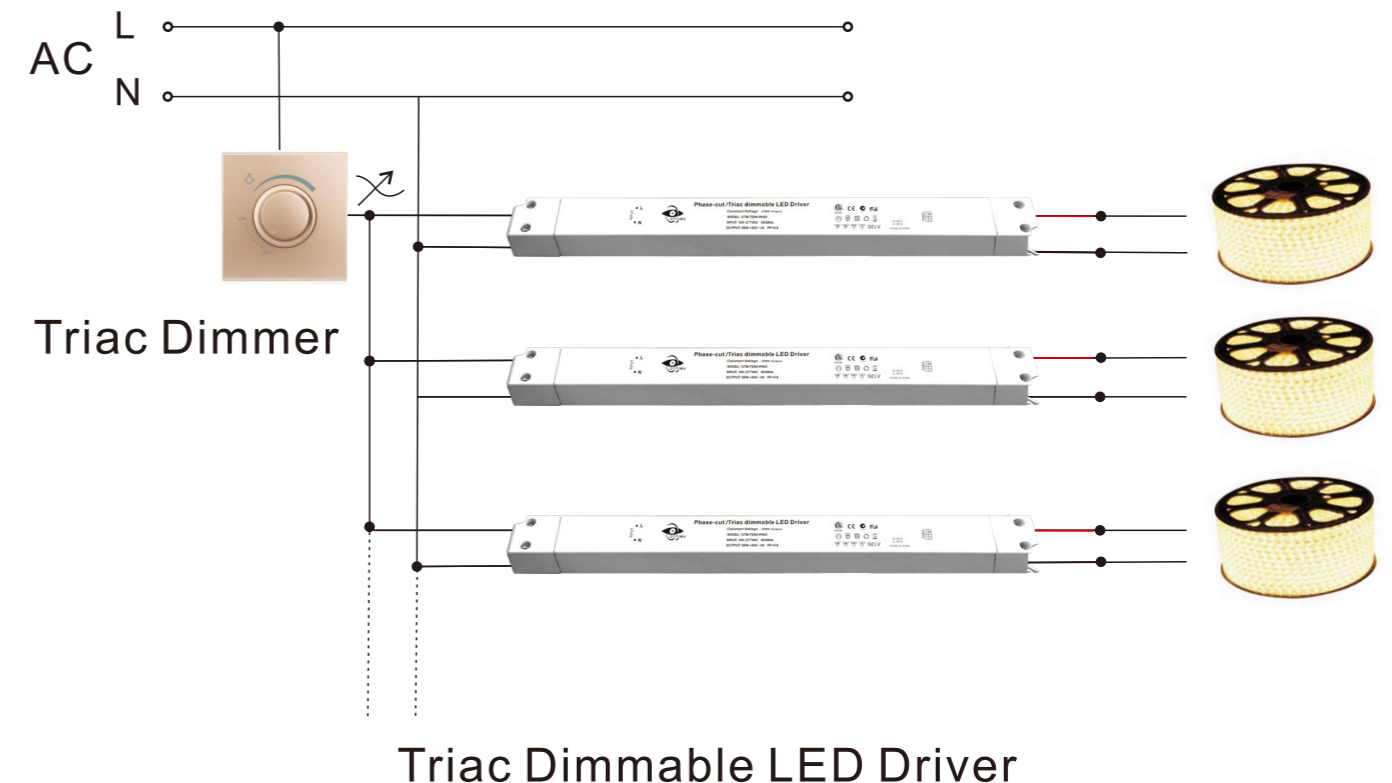
\*The following power, output voltage and output current can be adjusted according to customer requirements.

| Model No.    | Output power | Output voltage | Output current | Efficiency | Size(L*W*H)mm | IP   |
|--------------|--------------|----------------|----------------|------------|---------------|------|
| OTM-TD30-S   | 30W          | 12V/24V        | 2.5A/1.25A     | 86%        | 260*30*18.5   | IP20 |
| OTM-TD30-SW  | 30W          | 12V/24V        | 2.5A/1.25A     | 86%        | 262*32*20     | IP67 |
| OTM-TD36-S   | 36W          | 12V/24V        | 3A/1.5A        | 86%        | 260*30*18.5   | IP20 |
| OTM-TD36-SW  | 36W          | 12V/24V        | 3A/1.5A        | 86%        | 262*32*20     | IP67 |
| OTM-TD60-S   | 60W          | 12V/24V        | 5A/2.5A        | 86%        | 300*30*18.5   | IP20 |
| OTM-TD60-SW  | 60W          | 12V/24V        | 5A/2.5A        | 86%        | 300*32*20     | IP67 |
| OTM-TD96-S   | 96W          | 24V            | 4A             | 86%        | 330*30*22     | IP20 |
| OTM-TD96-SW  | 96W          | 24V            | 4A             | 86%        | 330*32*23     | IP67 |
| OTM-TD100-S  | 100W         | 12V/24V        | 8.33A/4.17A    | 86%        | 330*30*22     | IP20 |
| OTM-TD100-SW | 100W         | 12V/24V        | 8.33A/4.17A    | 86%        | 330*32*23     | IP67 |
| OTM-TD150-S  | 150W         | 12V/24V        | 12.5A/6.25A    | 86%        | 368*30*22.5   | IP20 |
| OTM-TD150-SW | 150W         | 12V/24V        | 12.5A/6.25A    | 86%        | 368*32*23     | IP67 |



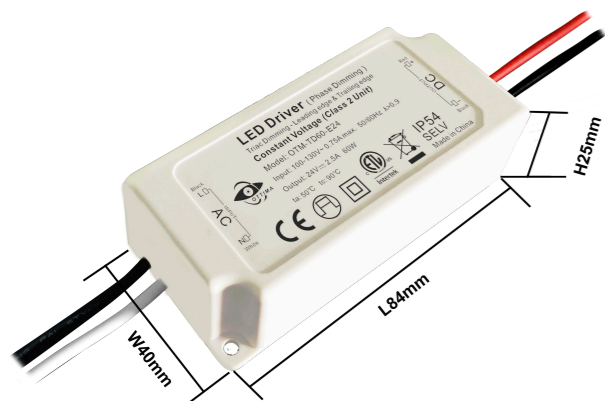
## Applied to

LED strip, LED light bar, LED module, LED neon, LED advertising screen and other LED lights, etc.



# Triac Dimmable LED Driver

Mini size Triac/ ELV/Phase-cut dimming



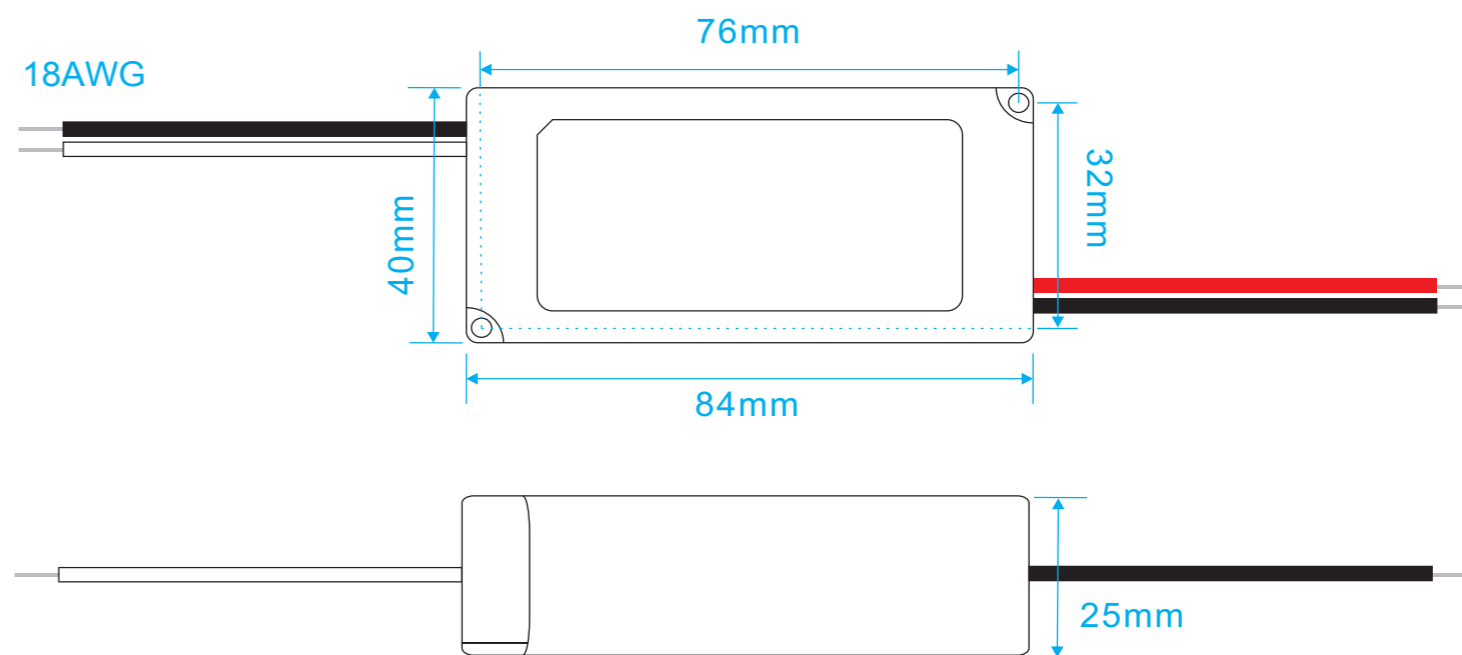
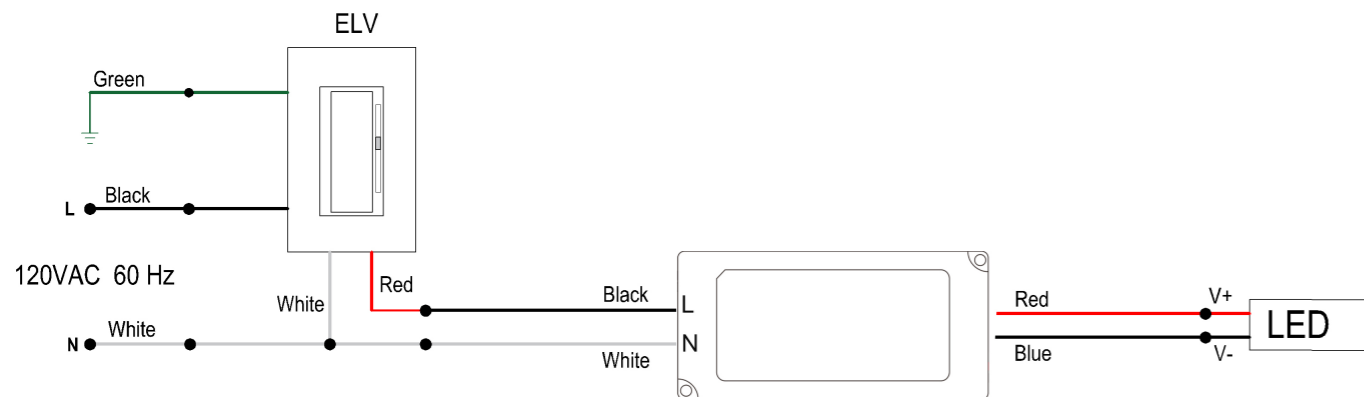
- **Small size: 84\*40\*25mm**
- Power range:60W-96W
- Input voltage range 100-130Vac
- Dimming Range 0-100%
- Damp and dry location
- Build in active PFC, typical power factor>0.94
- THD<20%@120V Max. load
- Super low loading request, works perfect at 5-100% load.
- Compatible with popular dimmers in the market, Title 24 JA8 compliant
- 3 years warranty



## Typical Specifications

\*The following power, output voltage and output current can be adjusted according to customer requirements.

| Model No.    | Output power | Output voltage | Output current | Efficiency | Size(L*W*H)mm | PF    |
|--------------|--------------|----------------|----------------|------------|---------------|-------|
| OTM-TD60-E12 | 60W          | 12V            | 5A             | 83%        | 84*40*25      | >0.94 |
| OTM-TD60-E24 | 60W          | 24V            | 2.5A           | 83%        | 84*40*25      | >0.94 |
| OTM-TD96-E24 | 96W          | 24V            | 4A             | 83%        | 84*40*25      | >0.94 |

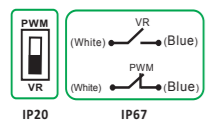


# 5 in 1 Dimmable LED Driver

Triac dimmable/0-10V/1-10V/10V PWM/Potentiometer



- **VR&PWM output, not change the color index**
- Input Voltage 110-277Vac
- Power Factor up to 0.98
- Dimming range 0.01-100%
- Loading range 0.01-100%
- Work with Triac/Forward and Reverse phase (leading and Trailing edge)/MLV/ELV Dimmer and 0/1-10V dimmer
- Cooling by free air convection
- Flicker-free
- 7 years warranty



## Typical Specifications

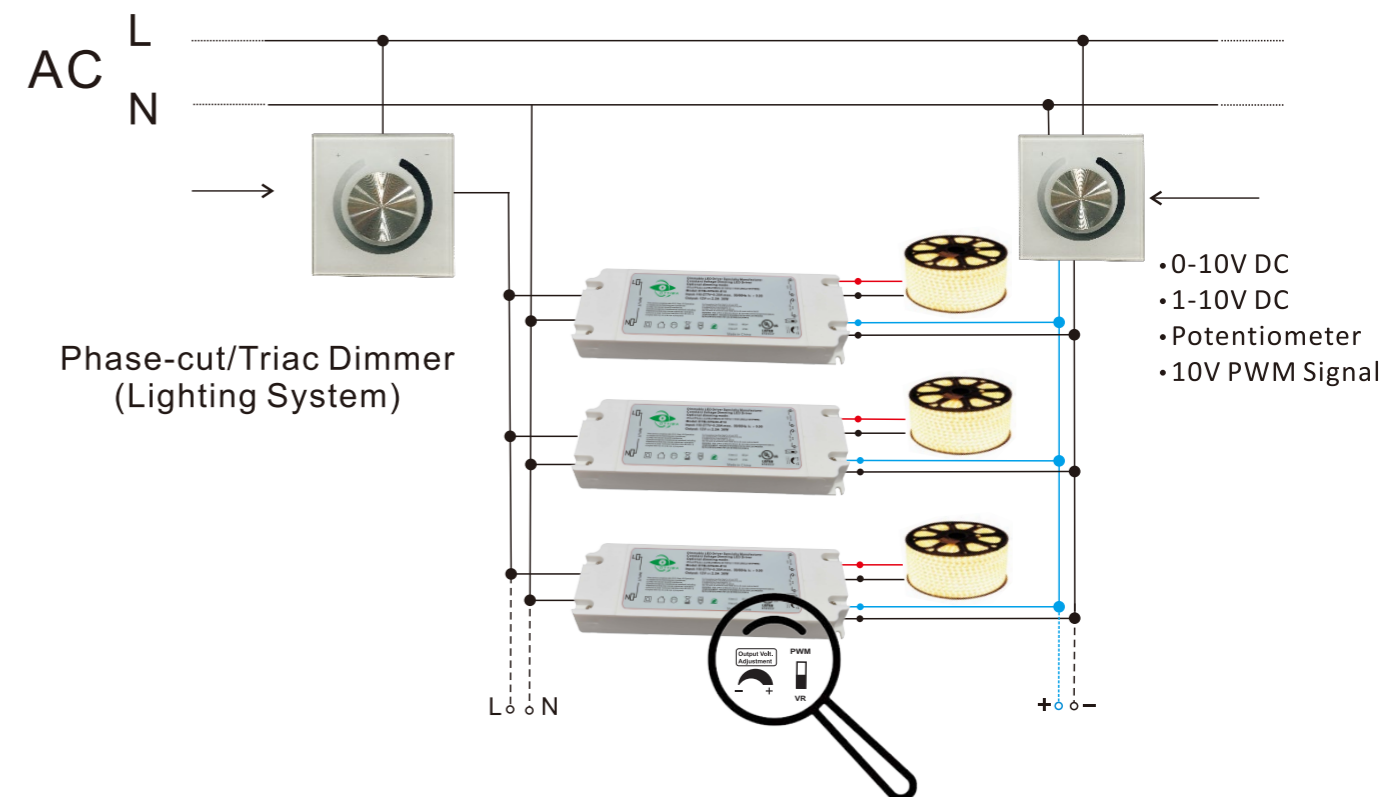
\*The following power, output voltage and output current can be adjusted according to customer requirements.

| Model No.                                 | Output power | Output voltage  | Output current                              | Efficiency | Size(L*W*H)mm | IP   |
|---|--------------|-----------------|---|------------|---------------|------|
| OTM-VPA30-E                               | 30W          | 12V/24V/36V/48V | 2.5A/1.25A/0.83A/0.62A                      | 86%        | 158*54*20     | IP20 |
| OTM-VPA60-E                               | 60W          | 12V/24V/36V/48V | 5A/2.5A/1.66A/1.25A                         | 86%        | 212*56*24     | IP20 |
| OTM-VPA80-E                               | 80W          | 12V/24V/36V/48V | 6.67A/3.33A/2.22A/1.66A                     | 86%        | 212*56*24     | IP20 |
| OTM-VPA96-E                               | 96W          | 24V/48V         | 4A/2A                                       | 86%        | 212*56*24     | IP20 |
| OTM-VPA100-E                              | 100W         | 12V/24V/36V/48V | 8.33A/4.17A/2.77A/2.08A                     | 86%        | 212*56*24     | IP20 |
| OTM-VPA120-W                              | 120W         | 12V/24V/36V/48V | 10A/5A/3.33A/2.5A                           | 86%        | 273.4*78*46   | IP67 |
| OTM-VPA150-W                              | 150W         | 12V/24V/36V/48V | 12.5A/6.25A/4.16A/3.15A                     | 86%        | 273.4*78*46   | IP67 |
| OTM-VPA200-W                              | 200W         | 12V/24V/36V/48V | 16.67A/8.33A/5.55A/4.16A                    | 86%        | 273.4*78*46   | IP67 |
| OTM-VPA300-W                              | 300W         | 12V/24V/36V/48V | 25A/12.5A/8.33A/6.25A                       | 86%        | 304.4*78*48   | IP67 |
| <b>MULTI OUTPUT CURRENT Class 2 model</b> |              |                 |   |            |               |      |
| OTM-VPA120-M                              | 120W         | 12V             | MULTI2x5A(2*60W)                            | 86%        | 273*78*46     | IP67 |
| OTM-VPA180-M                              | 180W         | 12V             | MULTI3x5A(3*60W)                            | 86%        | 273.4*78*46   | IP67 |
| OTM-VPA192-M                              | 192W         | 24V/48V         | MULTI2x4A/<br>MULTI2x2A (2*96W)             | 86%        | 273.4*78*46   | IP67 |
| OTM-VPA288-M                              | 288W         | 24V/36V/48V     | MULTI3x4A/MULTI3x2.66A/<br>MULTI3x2A(3*96W) | 86%        | 304.4*78*48   | IP67 |
| OTM-VPA300-M                              | 300W         | 12V             | MULTI5x5A(5*60W)                            | 86%        | 304.4*78*48   | IP67 |
| OTM-VPA340-M                              | 340W         | 24V             | MULTI4x3.5A(4*84W)                          | 86%        | 304.4*78*48   | IP67 |
| OTM-VPA384-M                              | 384W         | 24V/48V         | MULTI4x3.54A/<br>MULTI4x1.77A(4*85W)        | 86%        | 301*78*47     | IP67 |



## Applied to

LED strip, LED light bar, LED module, LED neon, LED advertising screen and other LED lights, etc.

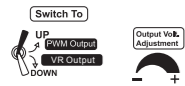


# 5 in 1 Dimmable LED Driver

Triac dimmable/0-10V/1-10V/10V PWM/Potentiometer



- JUNCTION BOX design, can be used directly
- Meet U.S.A, Canada standard
- Input Voltage 110-277Vac
- Power Factor up to 0.98
- Dimming range 0.01-100%
- Loading range 0.01-100%
- VR&PWM output, not change the color index
- Work with Triac/Forward and Reverse phase (leading and Trailing edge)/MLV/ELV Dimmer and 0/1-10V dimmer
- 7 years warranty



## Typical Specifications

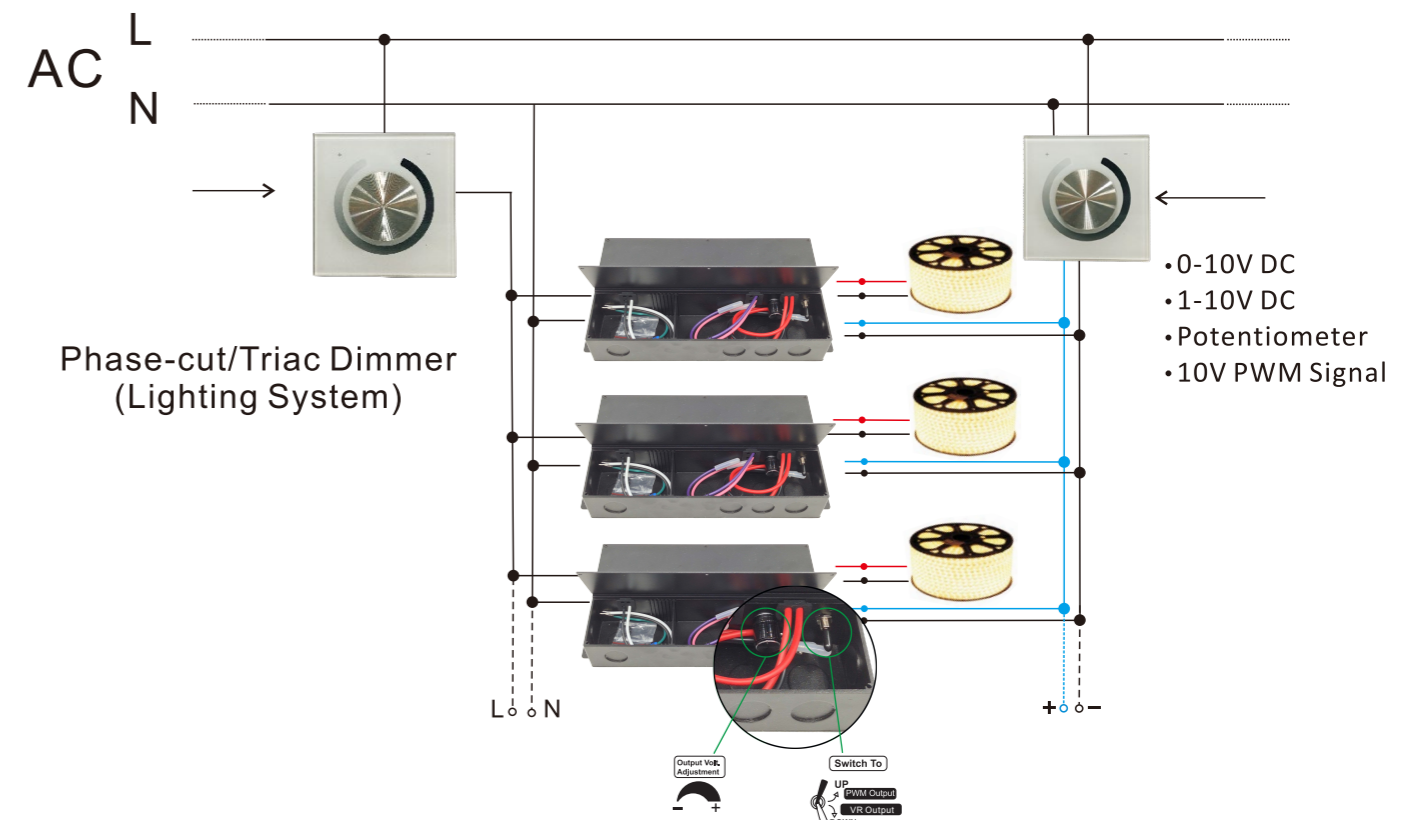
\*The following power, output voltage and output current can be adjusted according to customer requirements.

| Model No.                                 | Output power | Output voltage  | Output current           | Efficiency | Size(L*W*H)mm    | IP   |
|---|--------------|-----------------|--------------------------|------------|------------------|------|
| OTM-VPA30-J                               | 30W          | 12V/24V/36V/48V | 2.5A/1.25A/0.83A/0.62A   | 86%        | 170.5*116*42     | IP65 |
| OTM-VPA60-J                               | 60W          | 12V/24V/36V/48V | 5A/2.5A/1.66A/1.25A      | 86%        | 226.5*117*42.5   | IP65 |
| OTM-VPA80-J                               | 80W          | 12V/24V/36V/48V | 6.67A/3.33A/2.22A/1.66A  | 86%        | 226.5*117.5*42.5 | IP65 |
| OTM-VPA96-J                               | 96W          | 24V/48V         | 4A/2A                    | 86%        | 226.5*117.5*42.5 | IP65 |
| OTM-VPA100-J                              | 100W         | 12V/24V/36V/48V | 8.33A/4.17A/2.77A/2.08A  | 86%        | 226.5*117.5*42.5 | IP65 |
| OTM-VPA120-J                              | 120W         | 12V/24V/36V/48V | 10A/5A/3.33A/2.5A        | 86%        | 254*132*42.5     | IP65 |
| OTM-VPA150-J                              | 150W         | 12V/24V/36V/48V | 12.5A/6.25A/4.16A/3.15A  | 86%        | 254*132*42.5     | IP65 |
| OTM-VPA200-J                              | 200W         | 12V/24V/36V/48V | 16.67A/8.33A/5.55A/4.16A | 86%        | 254*132*42.5     | IP65 |
| OTM-VPA300-J                              | 300W         | 12V/24V/36V/48V | 25A/12.5A/8.33A/6.25A    | 86%        | 289*132*42.5     | IP65 |
| <b>MULTI OUTPUT CURRENT Class 2 model</b> |              |                 |                          |            |                  |      |
| OTM-VPA120-JM12                           | 120W         | 12V             | MULTI2x5A(2*60W)         | 86%        | 273*78*46        | IP65 |
| OTM-VPA180-JM12                           | 180W         | 12V             | MULTI3x5A(3*60W)         | 86%        | 273.4*78*46      | IP65 |
| OTM-VPA192-JM24                           | 192W         | 24V             | MULTI2x4A(2*96W)         | 86%        | 273.4*78*46      | IP65 |
| OTM-VPA288-JM24                           | 288W         | 24V             | MULTI3x4A(3*96W)         | 86%        | 304.4*78*48      | IP65 |
| OTM-VPA300-JM12                           | 300W         | 12V             | MULTI5x5A(5*60W)         | 86%        | 304.4*78*48      | IP65 |
| OTM-VPA340-JM24                           | 340W         | 24V             | MULTI4x3.5A(4*84W)       | 86%        | 304.4*78*48      | IP65 |
| OTM-VPA384-JM24                           | 384W         | 24V             | MULTI4x3.54A(4*85W)      | 86%        | 301*78*47        | IP65 |



## Applied to

LED strip, LED light bar, LED module, LED neon, LED advertising screen and other LED lights, etc.





# 5 in 1 Dimmable LED Driver

Triac dimmable/0-10V/1-10V/10V PWM/Potentiometer



- Used for Linear Shape application
- Input Voltage 110-277Vac
- Power Factor up to 0.98
- Dimming range 0-100%
- Loading range 10-100%
- PWM output, not change the color index
- Work with Triac/Forward and Reverse phase (leading and Trailing edge)/MLV/ELV Dimmer & 0/1-10V dimmer
- 7 years warranty



## Typical Specifications

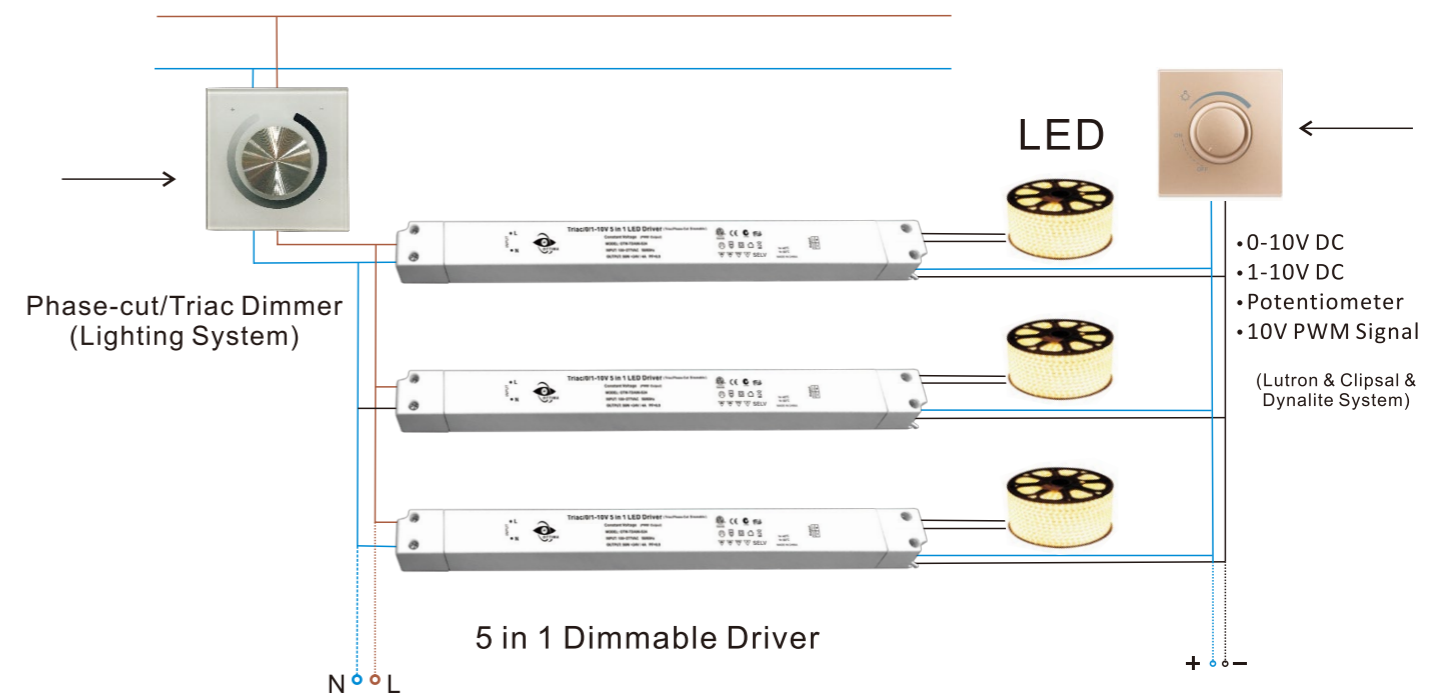
\*The following power, output voltage and output current can be adjusted according to customer requirements.

| Model No.     | Output power | Output voltage | Output current | Efficiency | Size(L*W*H)mm | IP   |
|---------------|--------------|----------------|----------------|------------|---------------|------|
| OTM-VPA30-S   | 30W          | 12V/24V        | 2.5A/1.25A     | 86%        | 260*30*18.5   | IP20 |
| OTM-VPA30-SW  | 30W          | 12V/24V        | 2.5A/1.25A     | 86%        | 262*32*20     | IP67 |
| OTM-VPA36-S   | 36W          | 12V/24V        | 3A/1.5A        | 86%        | 260*30*18.5   | IP20 |
| OTM-VPA36-SW  | 36W          | 12V/24V        | 3A/1.5A        | 86%        | 262*32*20     | IP67 |
| OTM-VPA60-S   | 60W          | 12V/24V        | 5A/2.5A        | 86%        | 300*30*18.5   | IP20 |
| OTM-VPA60-SW  | 60W          | 12V/24V        | 5A/2.5A        | 86%        | 300*32*20     | IP67 |
| OTM-VPA96-S   | 96W          | 24V            | 4A             | 86%        | 330*30*22     | IP20 |
| OTM-VPA96-SW  | 96W          | 24V            | 4A             | 86%        | 330*32*23     | IP67 |
| OTM-VPA100-S  | 100W         | 12V/24V        | 8.33A/4.17A    | 86%        | 330*30*22     | IP20 |
| OTM-VPA100-SW | 100W         | 12V/24V        | 8.33A/4.17A    | 86%        | 330*32*23     | IP67 |
| OTM-VPA150-S  | 150W         | 12V/24V        | 8.33A/4.17A    | 86%        | 368*30*22.5   | IP20 |
| OTM-VPA150-SW | 150W         | 12V/24V        | 8.33A/4.17A    | 86%        | 368*32*23     | IP67 |



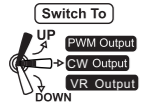
## Applied to

LED strip, LED light bar, LED module, LED neon, LED advertising screen and other LED lights, etc.



# Supports dimming linear bicolor 5 in 1 Dimmable LED Driver

Triac dimmable/0-10V/1-10V/10V PWM/Potentiometer



- VR,CW,PWM output,support dimming linear bicolor tapes,not only can work with single channel CCT warm-dim LED strip/tape (2 wires),but also can work with dual channel CW color temperature LED strip/tape (3 wires)
- Input Voltage 110-277Vac
- Power Factor up to 0.98
- Dimming range 0.01-100%
- Loading range 0.01-100%
- Work with Triac/Forward and Reverse phase (leading and Trailing edge)/MLV/ELV Dimmer & 0/1-10V dimmer
- 7 years warranty



## Typical Specifications

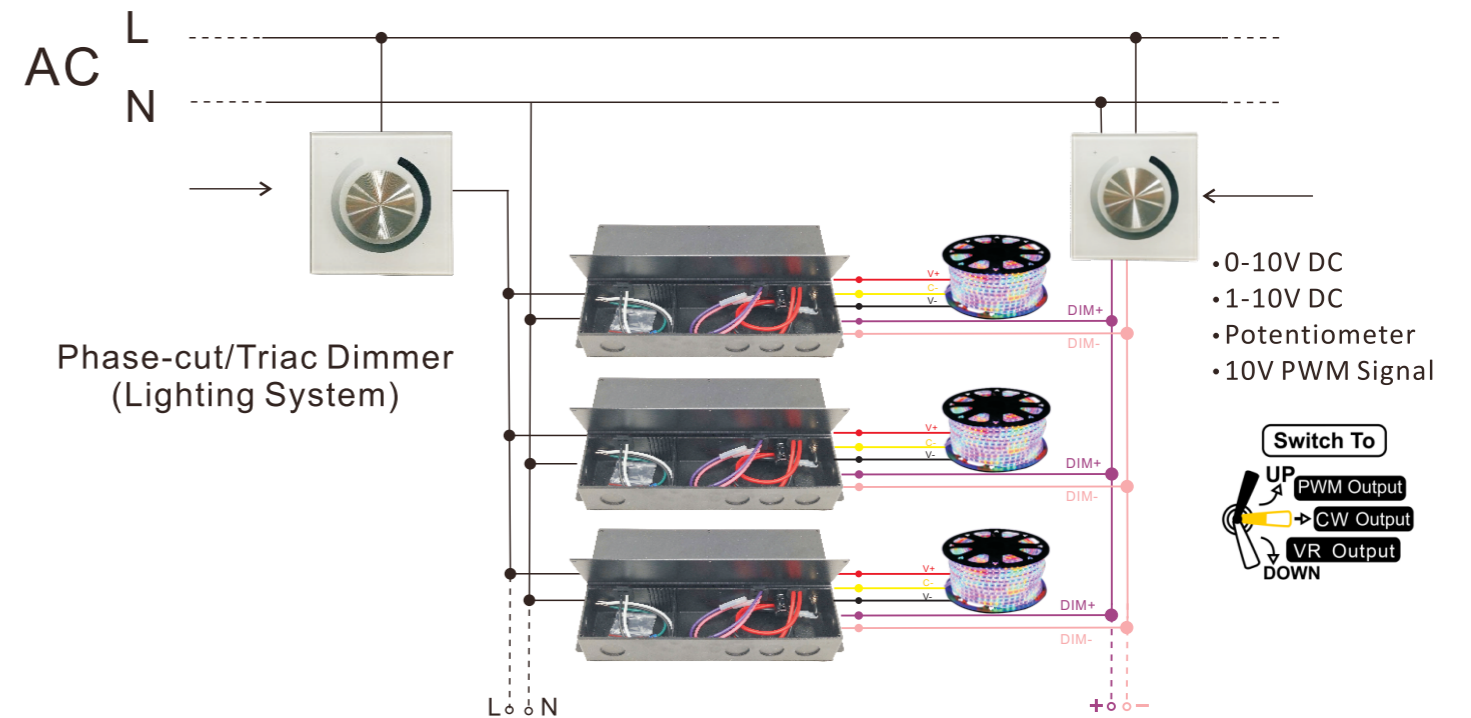
\*The following power, output voltage and output current can be adjusted according to customer requirements.

| Model No.       | Output power | Output voltage | Output current   | Efficiency | Size(L*W*H)mm    | IP   |
|-----------------|--------------|----------------|------------------|------------|------------------|------|
| OTM-TDJ96-E24   | 96W          | 24V            | 3.3A             | 86%        | 212*56*24        | IP20 |
| OTM-TDJ96-E36   | 96W          | 36V            | 2.22A            | 86%        | 212*56*24        | IP20 |
| OTM-TDJ96-E48   | 96W          | 48V            | 1.66A            | 86%        | 212*56*24        | IP20 |
| OTM-TDJ96-J24   | 96W          | 24V            | 4A               | 86%        | 226.5*117.5*42.5 | IP65 |
| OTM-TDJ96-J48   | 96W          | 48V            | 2A               | 86%        | 226.5*117.5*42.5 | IP65 |
| OTM-TDJ192-JM24 | 192W         | 24V            | MULTI2x4A(2*96W) | 86%        | 254*132*42.5     | IP65 |
| OTM-TDJ192-JM48 | 192W         | 48V            | MULTI2x2A(2*96W) | 86%        | 254*132*42.5     | IP65 |



## Applied to

LED strip,LED light bar,LED module,LED neon, LED advertising screen and other LED lights,etc.



# 4 in 1 Dimmable LED Driver

0-10V/1-10V/Potentiometer/10V PWM



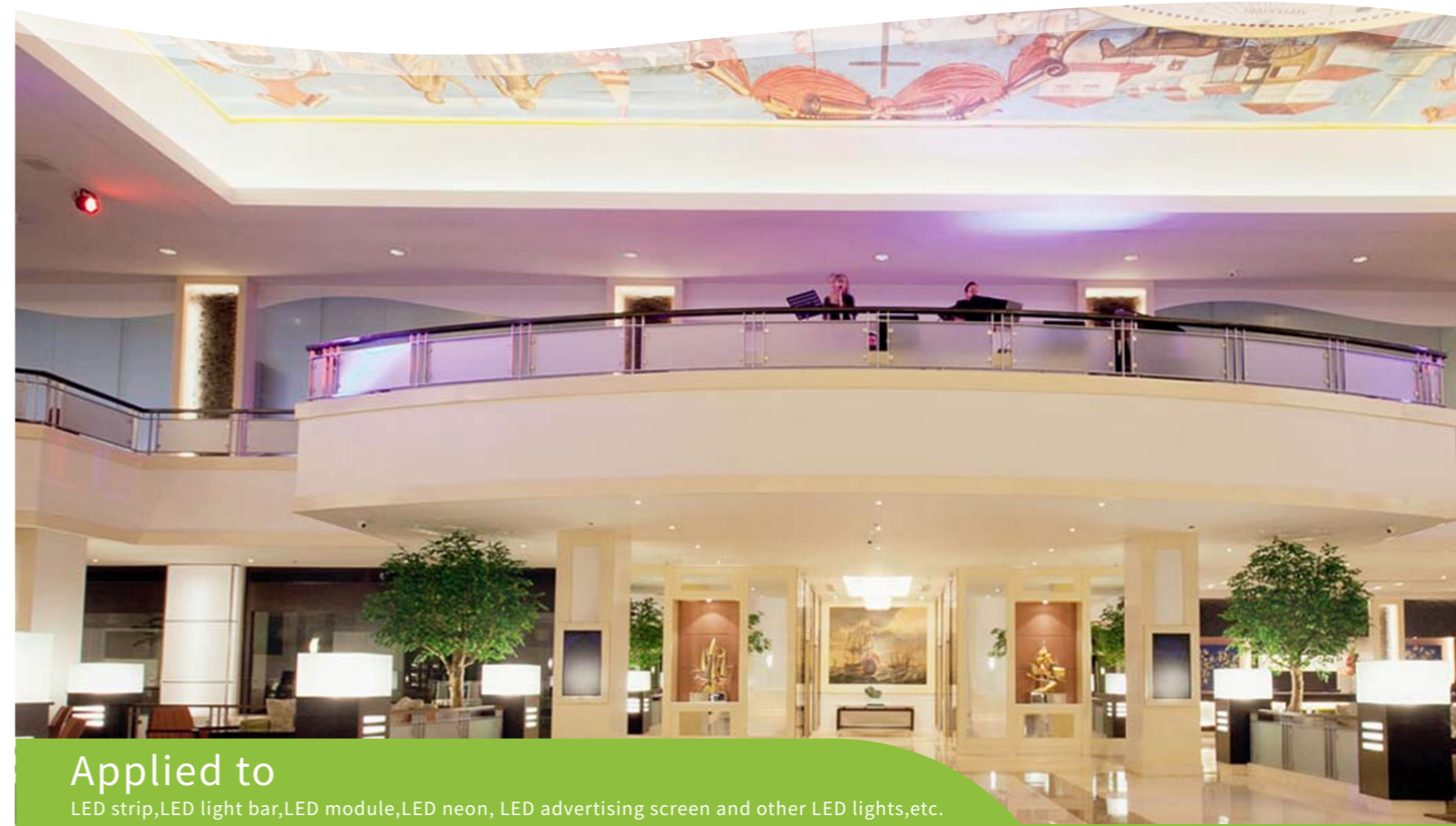
- Work with 0-10V/1-10V/Potentiometer/10V PWM Dimmers
- Input Voltage 110-277Vac
- Output constant Voltage, class 2 multi-channels
- Power Factor up to 0.95
- Dimming range 0-100%
- Loading range 10-100%
- PWM output, not change the color index
- Cooling by free air convection
- Protections: short circuit/over load/ over temperature
- 7 years warranty



## Typical Specifications

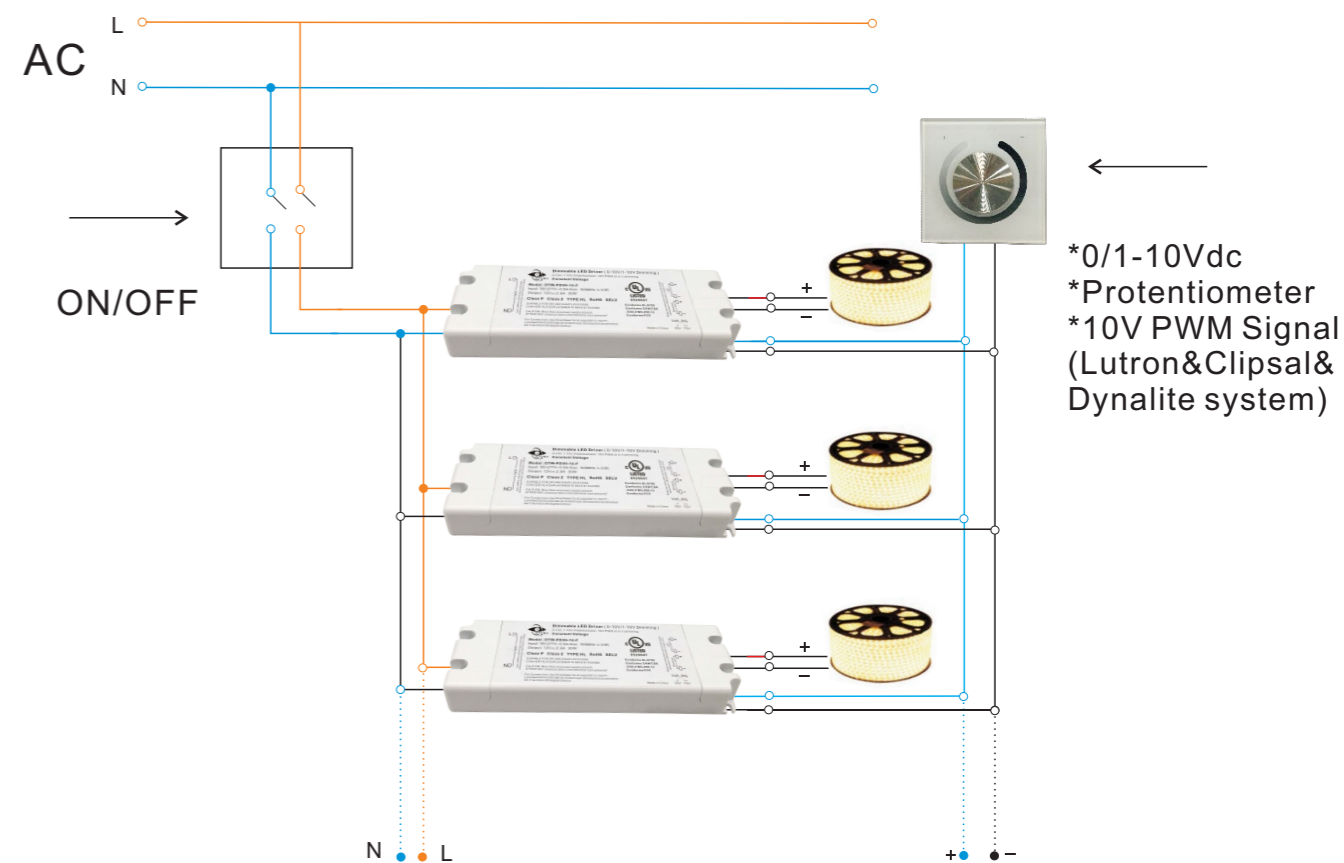
\*The following power, output voltage and output current can be adjusted according to customer requirements.

| Model No.                                 | Output power | Output voltage | Output current   | Efficiency | Size(L*W*H)mm | IP   |
|---|--------------|----------------|------------------|------------|---------------|------|
| OTM-PD30                                  | 30W          | 12V/24V        | 2.5A/1.25A       | 86%        | 155*54*20     | IP20 |
| OTM-PD60                                  | 60W          | 12V/24V        | 5A/2.5A          | 86%        | 178*61*24     | IP20 |
| OTM-PD80                                  | 80W          | 12V/24V        | 6.67A/3.33A      | 86%        | 230*70*43     | IP67 |
| OTM-PD96                                  | 96W          | 24V            | 4A               | 86%        | 230*70*43     | IP67 |
| OTM-PD100                                 | 100W         | 12V/24V        | 8.33A/4.17A      | 86%        | 230*70*43     | IP67 |
| OTM-PD120                                 | 120W         | 12V/24V        | 10A/5A           | 86%        | 230*70*43     | IP67 |
| OTM-PD150                                 | 150W         | 12V/24V        | 12.5A/6.25A      | 86%        | 256*78*47     | IP67 |
| OTM-PD200                                 | 200W         | 12V/24V        | 16.67A/8.33A     | 86%        | 256*78*47     | IP67 |
| OTM-PD300                                 | 300W         | 12V/24V        | 25A/12.5A        | 86%        | 276*78*48     | IP67 |
| <b>MULTI OUTPUT CURRENT Class 2 model</b> |              |                |                  |            |               |      |
| OTM-PD180-M12-F                           | 180W         | 12V            | MULTI3x5A(3*60W) | 86%        | 276*78*47     | IP67 |
| OTM-PD192-M24-F                           | 192W         | 24V            | MULTI2x4A(2*96W) | 86%        | 276*78*47     | IP67 |
| OTM-PD288-M24-F                           | 288W         | 24V            | MULTI3x4A(3*96W) | 86%        | 301*78*47     | IP67 |
| OTM-PD300-M12-F                           | 300W         | 12V            | MULTI5x5A(5*60W) | 86%        | 301*78*47     | IP67 |



## Applied to

LED strip, LED light bar, LED module, LED neon, LED advertising screen and other LED lights, etc.



# 4 in 1 Dimmable LED Driver

0-10V/1-10V/Potentiometer/10V PWM



- JUNCTION BOX design, can be used directly
- Meet U.S.A, Canada standard
- Input Voltage 110-277Vac
- Power Factor up to 0.95
- Dimming range 0-100%
- Loading range 10-100%
- Output constant Voltage, class 2 multi-channels
- PWM output, not change the color index
- Work with 0-10V/1-10V/10V PWM/Potentiometer dimmers
- Cooling by free air convection
- Protections: short circuit/over load/ over temperature
- Full protection metal housing, for dry, damp and wet locations
- 7 years warranty



## Typical Specifications

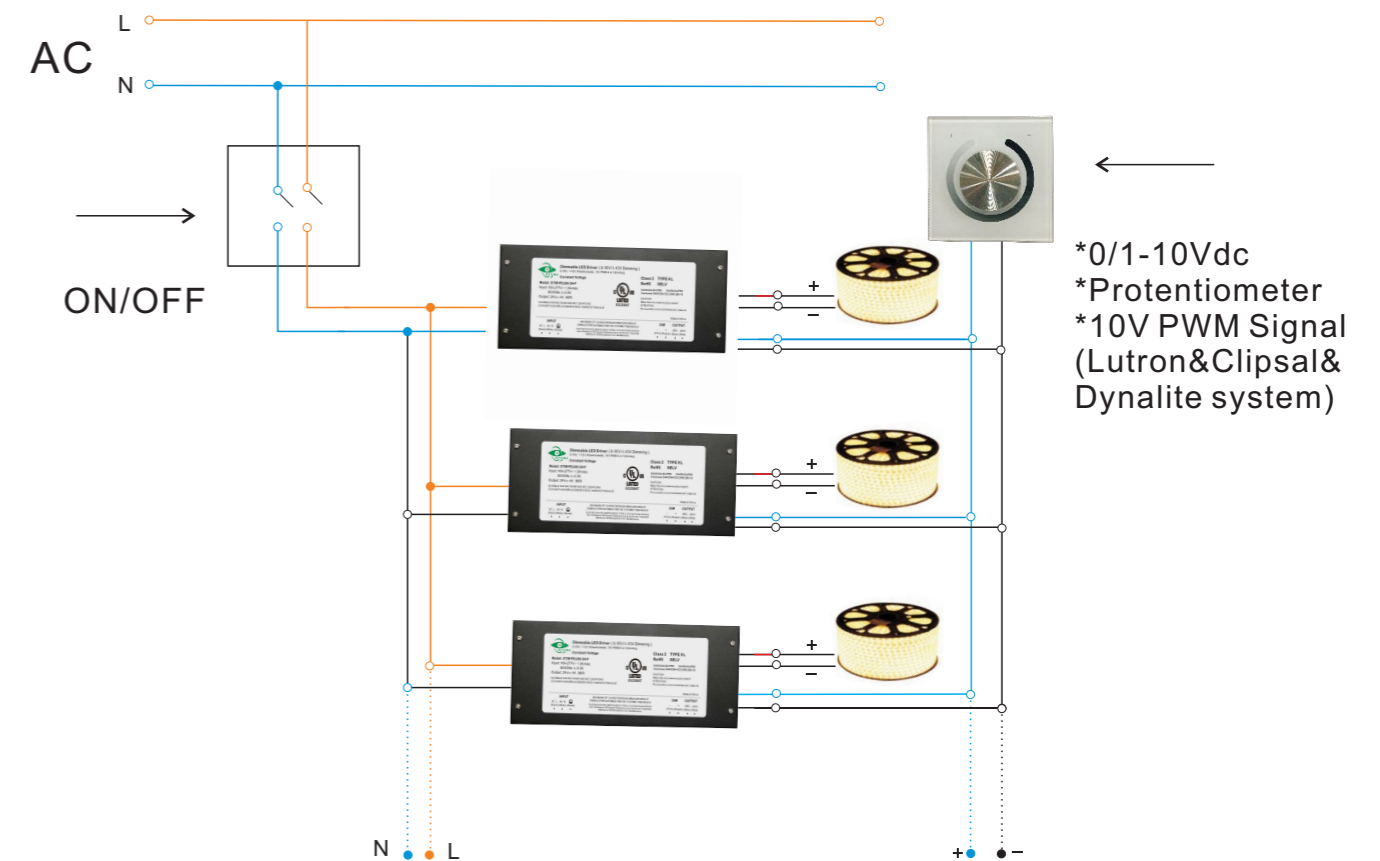
\*The following power, output voltage and output current can be adjusted according to customer requirements.

| Model No.                                 | Output power | Output voltage | Output current       | Efficiency | Size(L*W*H)mm | IP   |
|---|--------------|----------------|----------------------|------------|---------------|------|
| OTM-PDJ30                                 | 30W          | 12V/24V        | 2.5A/1.25A           | 86%        | 165*92*41     | IP54 |
| OTM-PDJ60                                 | 60W          | 12V/24V        | 5A/2.5A              | 86%        | 188*92*41     | IP54 |
| OTM-PDJ80                                 | 80W          | 12V/24V        | 6.67A/3.33A          | 86%        | 220*93*41     | IP54 |
| OTM-PDJ96                                 | 96W          | 24V            | 4A                   | 86%        | 220*93*41     | IP54 |
| OTM-PDJ100                                | 100W         | 12V/24V        | 8.33A/4.17A          | 86%        | 220*93*41     | IP54 |
| OTM-PDJ120                                | 120W         | 12V/24V        | 10A/5A               | 86%        | 220*93*41     | IP54 |
| OTM-PDJ150                                | 150W         | 12V/24V        | 12.5A/6.25A          | 86%        | 260*103*46    | IP54 |
| OTM-PDJ200                                | 200W         | 12V/24V        | 16.67A/8.33A         | 86%        | 260*103*46    | IP54 |
| OTM-PDJ300                                | 300W         | 12V/24V        | 25A/12.5A            | 86%        | 278*103*46    | IP54 |
| <b>MULTI OUTPUT CURRENT Class 2 model</b> |              |                |                      |            |               |      |
| OTM-PD180-JM12-F                          | 180W         | 12V            | MULTI3x5A (3*60W)    | 86%        | 276*78*47     | IP54 |
| OTM-PD192-JM24-F                          | 192W         | 24V            | MULTI2x4A (2*96W)    | 86%        | 276*78*47     | IP54 |
| OTM-PD288-JM24-F                          | 288W         | 24V            | MULTI3x4A (3*96W)    | 86%        | 301*78*47     | IP54 |
| OTM-PD300-JM12-F                          | 300W         | 12V            | MULTI5x5A (5*60W)    | 86%        | 301*78*47     | IP54 |
| OTM-PD384-JM12-F                          | 384W         | 12V            | MULTI4x3.54A (4*96W) | 86%        | 301*78*47     | IP54 |



## Applied to

LED strip, LED light bar, LED module, LED neon, LED advertising screen and other LED lights, etc.



# 4 in 1 Dimmable LED Driver

0-10V/1-10V/Potentiometer/10V PWM



- Used for Linear Shape application
- Input Voltage 110-277Vac
- Power Factor up to 0.95
- Dimming range 0-100%
- Loading range 10-100%
- PWM output, not change the color index
- Cooling by free air convection
- Work with 0-10V/1-10V/10V PWM/Potentiometer dimmers
- Protections: short circuit/over load/ over temperature
- 7 years warranty



## Typical Specifications

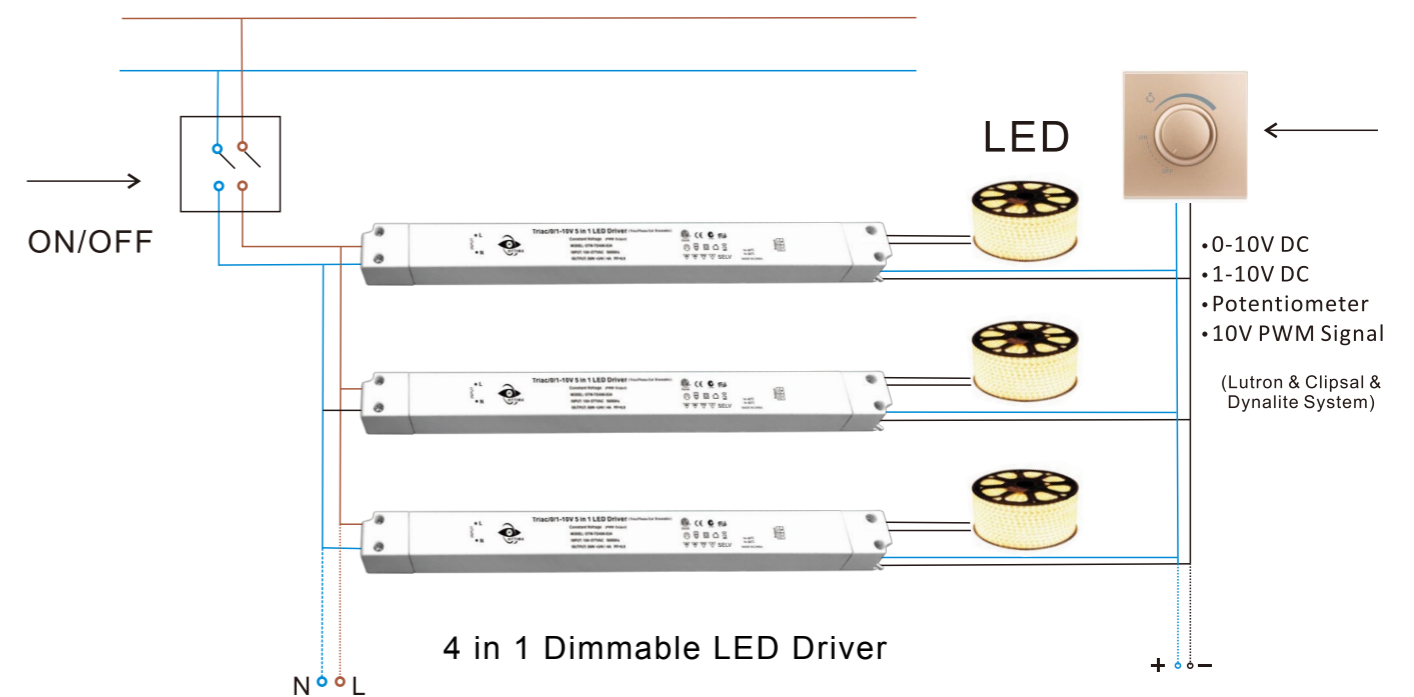
\*The following power, output voltage and output current can be adjusted according to customer requirements.

| Model No.    | Output power | Output voltage | Output current | Efficiency | Size(L*W*H)mm | IP   |
|--------------|--------------|----------------|----------------|------------|---------------|------|
| OTM-PD30-S   | 30W          | 12V/24V        | 2.5A/1.25A     | 86%        | 260*30*18.5   | IP20 |
| OTM-PD30-SW  | 30W          | 12V/24V        | 2.5A/1.25A     | 86%        | 262*32*20     | IP67 |
| OTM-PD36-S   | 36W          | 12V/24V        | 3A/1.5A        | 86%        | 260*30*18.5   | IP20 |
| OTM-PD36-SW  | 36W          | 12V/24V        | 3A/1.5A        | 86%        | 262*32*20     | IP67 |
| OTM-PD60-S   | 60W          | 12V/24V        | 5A/2.5A        | 86%        | 300*30*18.5   | IP20 |
| OTM-PD60-SW  | 60W          | 12V/24V        | 5A/2.5A        | 86%        | 300*32*20     | IP67 |
| OTM-PD96-S   | 96W          | 24V            | 4A             | 86%        | 330*30*22     | IP20 |
| OTM-PD96-SW  | 96W          | 24V            | 4A             | 86%        | 330*32*23     | IP67 |
| OTM-PD100-S  | 100W         | 12V/24V        | 8.33A/4.17A    | 86%        | 330*30*22     | IP20 |
| OTM-PD100-SW | 100W         | 12V/24V        | 8.33A/4.17A    | 86%        | 330*32*23     | IP67 |
| OTM-PD150-S  | 150W         | 12V/24V        | 8.33A/4.17A    | 86%        | 368*30*22.5   | IP20 |
| OTM-PD150-SW | 150W         | 12V/24V        | 8.33A/4.17A    | 86%        | 368*32*23     | IP67 |



## Applied to

LED strip, LED light bar, LED module, LED neon, LED advertising screen and other LED lights, etc.

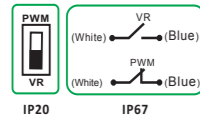


# Constant Voltage LED Driver

Non dimmable Constant voltage LED Driver(7 years warranty )  
 Switch to PWM or Voltage Regulation output



- **VR&PWM output, not change the color index**
- Input Voltage:110-277Vac
- Power Factor up to 0.95
- Power range 30-340W
- Protection:short circuit/over load/ Over temperature
- Full protection case, for dry , damp ,wet location
- Flicker-free
- Cooling by free air convection
- 7 years warranty



## Typical Specifications

\*The following power, output voltage and output current can be adjusted according to customer requirements.

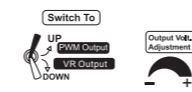
| Model No.                          | Output power | Output voltage | Output current      | Efficiency | Size(L*W*H)mm | IP   |
|------------------------------------|--------------|----------------|---------------------|------------|---------------|------|
| OTM-E30                            | 30W          | 12V/24V        | 2.5A/1.25A          | 86%        | 155*54*20     | IP20 |
| OTM-E60                            | 60W          | 12V/24V        | 5A/2.5A             | 86%        | 212*56*24     | IP20 |
| OTM-E80                            | 80W          | 12V/24V        | 6.67A/3.33A         | 86%        | 212*56*24     | IP20 |
| OTM-E96                            | 96W          | 24V            | 4A                  | 86%        | 212*56*24     | IP20 |
| OTM-E100                           | 100W         | 12V/24V        | 8.33A/4.17A         | 86%        | 212*56*24     | IP20 |
| OTM-W120                           | 120W         | 12V/24V        | 10A/5A              | 86%        | 273.4*78*46   | IP67 |
| OTM-W150                           | 150W         | 12V/24V        | 12.5A/6.25A         | 86%        | 273.4*78*46   | IP67 |
| OTM-W200                           | 200W         | 12V/24V        | 16.67A/8.33A        | 86%        | 273.4*78*46   | IP67 |
| OTM-W300                           | 300W         | 12V/24V        | 25A/12.5A           | 86%        | 304.4*78*48   | IP67 |
| MULTI OUTPUT CURRENT Class 2 model |              |                |                     |            |               |      |
| OTM-W120-M12                       | 120W         | 12V            | MULTI2x5A(2*60W)    | 86%        | 273.4*78*46   | IP67 |
| OTM-W180-M12                       | 180W         | 12V            | MULTI3x5A(3*60W)    | 86%        | 273.4*78*46   | IP67 |
| OTM-W192-M24                       | 192W         | 24V            | MULTI2x4A/(2*96W)   | 86%        | 273.4*78*46   | IP67 |
| OTM-W288-M24                       | 288W         | 24V            | MULTI3x4A(3*96W)    | 86%        | 304.4*78*48   | IP67 |
| OTM-W300-M12                       | 300W         | 12V            | MULTI5x5A(5*60W)    | 86%        | 304.4*78*48   | IP67 |
| OTM-W340-M24                       | 340W         | 24V            | MULTI4x3.54A(4*85W) | 86%        | 304.4*78*48   | IP67 |

# Constant Voltage LED Driver

Non dimmable Constant voltage LED Driver(7 years warranty )  
 Switch to PWM or Voltage Regulation output



- **JUNCTION BOX design,can be used directly, meet U.S.A,Canada standard**
- VR&PWM output, not change the color index
- Input Voltage:110-277Vac
- Power Factor up to 0.95
- Power range 30-340W
- Protection:short circuit/over load/ Over temperature
- Full protection case, for dry , damp,wet location
- Flicker-free
- Cooling by free air convection
- 7 years warranty



## Typical Specifications

\*The following power, output voltage and output current can be adjusted according to customer requirements.

| Model No.                          | Output power | Output voltage  | Output current           | Efficiency | Size(L*W*H)mm    | IP   |
|------------------------------------|--------------|-----------------|--------------------------|------------|------------------|------|
| OTM-JB30                           | 30W          | 12V/24V/36V/48V | 2.5A/1.25A/0.83A/0.62A   | 86%        | 170.5*116*42     | IP65 |
| OTM-JB60                           | 60W          | 12V/24V/36V/48V | 5A/2.5A/1.66A/1.25A      | 86%        | 226.5*117.5*42.5 | IP65 |
| OTM-JB80                           | 80W          | 12V/24V/36V/48V | 6.67A/3.33A/2.22A/1.66A  | 86%        | 226.5*117.5*42.5 | IP65 |
| OTM-JB96                           | 96W          | 24V/48V         | 4A/2A                    | 86%        | 226.5*117.5*42.5 | IP65 |
| OTM-JB100                          | 100W         | 12V/24V/36V/48V | 8.33A/4.17A/2.77A/2.08A  | 86%        | 226.5*117.5*42.5 | IP65 |
| OTM-JB120                          | 120W         | 12V/24V/36V/48V | 10A/5A/3.33A/2.5A        | 86%        | 254*132*42.5     | IP65 |
| OTM-JBJ150                         | 150W         | 12V/24V/36V/48V | 12.5A/6.25A/4.16A/3.15A  | 86%        | 254*132*42.5     | IP65 |
| OTM-JB200                          | 200W         | 12V/24V/36V/48V | 16.67A/8.33A/5.55A/4.16A | 86%        | 254*132*42.5     | IP65 |
| OTM-JB300                          | 300W         | 12V/24V/36V/48V | 25A/12.5A/8.33A/6.25A    | 86%        | 289*132*42.5     | IP65 |
| MULTI OUTPUT CURRENT Class 2 model |              |                 |                          |            |                  |      |
| OTM-JB120-M12                      | 120W         | 12V             | MULTI2x5A(2*60W)         | 86%        | 254*132*42.5     | IP65 |
| OTM-JB180-M12                      | 180W         | 12V             | MULTI3x5A(3*60W)         | 86%        | 254*132*42.5     | IP65 |
| OTM-JB192-M24                      | 192W         | 24V             | MULTI2x4A(2*96W)         | 86%        | 254*132*42.5     | IP65 |
| OTM-JB288-M24                      | 288W         | 24V             | MULTI3x4A(3*96W)         | 86%        | 289*132*42.5     | IP65 |
| OTM-JB300-M12                      | 300W         | 12V             | MULTI5x5A(5*60W)         | 86%        | 289*132*42.5     | IP65 |
| OTM-JB340-M24                      | 340W         | 24V             | MULTI4x3.54A(4*85W)      | 86%        | 289*132*42.5     | IP65 |

# Linear LED Driver

Non dimmable Constant voltage LED Driver(7 years warranty )



- **Used for Linear Shape application**
- Input Voltage 110-277Vac
- Power Factor up to 0.95
- Power Range:30-150W
- Protection:short circuit/over load/ Over temperature
- PWM output, not change the color index
- Full protection case, for dry , damp, wet location
- Flicker-free
- Cooling by free air convection
- UL cUL ETL cETL FCC,ROHS class2
- 7 years warranty



## Typical Specifications

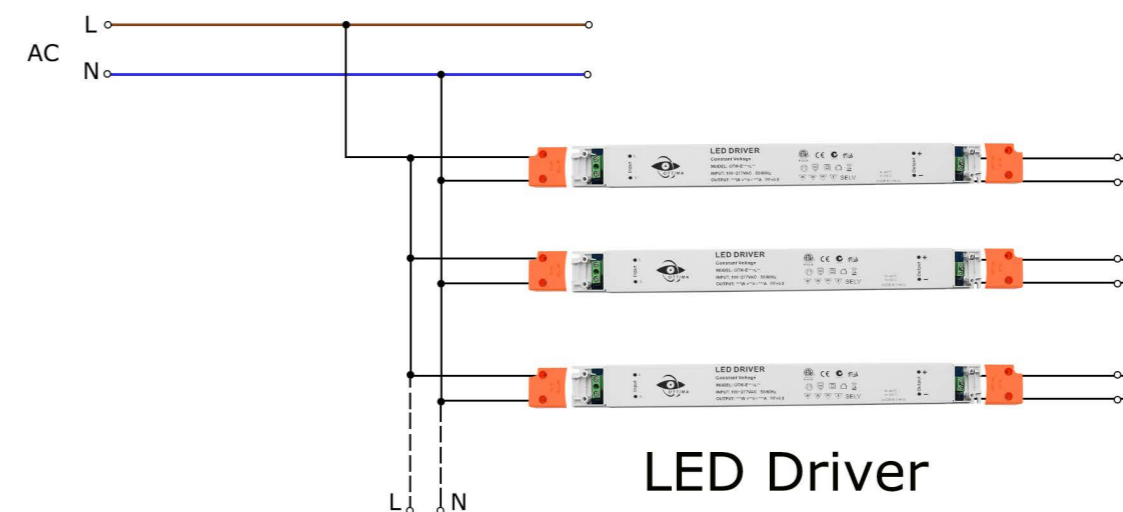
\*The following power, output voltage and output current can be adjusted according to customer requirements.

| Model No.   | Output power | Output voltage | Output current | Efficiency | Size(L*W*H)mm | IP   |
|-------------|--------------|----------------|----------------|------------|---------------|------|
| OTM-E30-S   | 30W          | 12V/24V        | 2.5A/1.25A     | 86%        | 260*30*18.5   | IP20 |
| OTM-E30-SW  | 30W          | 12V/24V        | 2.5A/1.25A     | 86%        | 262*32*20     | IP67 |
| OTM-E36-S   | 36W          | 12V/24V        | 3A/1.5A        | 86%        | 260*30*18.5   | IP20 |
| OTM-E36-SW  | 36W          | 12V/24V        | 3A/1.5A        | 86%        | 262*32*20     | IP67 |
| OTM-E60-S   | 60W          | 12V/24V        | 5A/2.5A        | 86%        | 300*30*18.5   | IP20 |
| OTM-E60-SW  | 60W          | 12V/24V        | 5A/2.5A        | 86%        | 300*32*20     | IP67 |
| OTM-E96-S   | 96W          | 24V            | 4A             | 86%        | 330*30*22     | IP20 |
| OTM-E96-SW  | 96W          | 24V            | 4A             | 86%        | 330*32*23     | IP67 |
| OTM-E100-S  | 100W         | 12V/24V        | 8.33A/4.17A    | 86%        | 330*30*22     | IP20 |
| OTM-E100-SW | 100W         | 12V/24V        | 8.33A/4.17A    | 86%        | 330*32*23     | IP67 |
| OTM-E150-S  | 150W         | 12V/24V        | 12.5A/6.25A    | 86%        | 368*30*22.5   | IP20 |
| OTM-E150-SW | 150W         | 12V/24V        | 12.5A/6.25A    | 86%        | 368*32*23     | IP67 |



## Applied to

LED strip,LED light bar,LED module,LED neon, LED advertising screen and other LED lights,etc.



# Our Exhibition



# Our Team Our Family

